

AMADA®



Duralens - Högkvalitativ Lins

- Absorberar $\leq 0,20\%$
- Konstruerad för hög hållbarhet och noggrannhet
- Tillverkad med högsta precision
- Godkänd och använd av ledande maskintillverkare



Black Magic – Lågabsorberande Lins

- Absorberar $\leq 0,15\%$
- Hårdaste ytan på marknaden för ökad livslängd
 - Bäst på att stöta bort stänk
 - Enklare att rengöra och underhålla
 - Motståndskraftig mot fukt
- Rekommenderad och godkänd av ledande maskintillverkare
- Den är EJ radioaktiv
- Utmärker sig vid skärning i bl.a. aluminium och rostfritt stål



Clear Magic – Ultra Lågabsorberande Lins

- Absorberar $\leq 0,13\%$ under hela livslängden
 - Maximal stabilitet i fokusläget
- Transparent ytskikt släpper igenom HeNe-strålar så de blir synliga på arbetsstycket
- Polariserande filter hjälper till att upptäcka termiskt inducerad stress
- Rekommenderad och godkänd av ledande maskintillverkare
- Hårdaste ytan på marknaden för ökad livslängd
 - Bäst på att stöta bort stänk
 - Enklare att rengöra och underhålla
 - Motståndskraftig mot fukt
- Den är EJ radioaktiv
- Utmärker sig vid skärning i bl.a. aluminium och rostfritt stål

LINSER



POS	ART. NR.	TYP	BESKRIVNING	PRIS / ST
GUL LINS				
1	61982	MENISCUS	DIA = 1,5" FOKUS = 5" TJOCKLEK = 7,4 mm	
	61983	MENISCUS	DIA = 1,5" FOKUS = 7,5" TJOCKLEK = 7,4 mm	
	60882	PLAN-CONVEX	DIA = 1,5" FOKUS = 7,5" TJOCKLEK = 7,4 mm	
	60883	PLAN-CONVEX	DIA = 1,5" FOKUS = 5" TJOCKLEK = 7,4 mm	
	60905	PLAN-CONVEX	DIA = 1,5" FOKUS = 5" TJOCKLEK = 8,0 mm	
	60906	PLAN-CONVEX	DIA = 1,5" FOKUS = 7,5" TJOCKLEK = 8,0 mm	
	61405	PLAN-CONVEX	DIA = 2" FOKUS = 7,5" TJOCKLEK = 9,6 mm	
	61003	PLAN-CONVEX	DIA = 2" FOKUS = 5" TJOCKLEK = 8,0 mm	
	61004	PLAN-CONVEX	DIA = 2" FOKUS = 7,5" TJOCKLEK = 8,0 mm	
61019	PLAN-CONVEX	DIA = 2" FOKUS = 5" TJOCKLEK = 9,6 mm		
LAGABSORBERANDE SVART LINS				
2	61982LA	MENISCUS	DIA = 1,5" FOKUS = 5" TJOCKLEK = 7,4 mm	
	61983LA	MENISCUS	DIA = 1,5" FOKUS = 7,5" TJOCKLEK = 7,4 mm	
	60882LA	PLAN-CONVEX	DIA = 1,5" FOKUS = 7,5" TJOCKLEK = 7,4 mm	
	60883LA	PLAN-CONVEX	DIA = 1,5" FOKUS = 5" TJOCKLEK = 7,4 mm	
	60905LA	PLAN-CONVEX	DIA = 1,5" FOKUS = 5" TJOCKLEK = 8,0 mm	
	60906LA	PLAN-CONVEX	DIA = 1,5" FOKUS = 7,5" TJOCKLEK = 8,0 mm	
	61405LA	PLAN-CONVEX	DIA = 2" FOKUS = 7,5" TJOCKLEK = 9,6 mm	
	61004LA	PLAN-CONVEX	DIA = 2" FOKUS = 7,5" TJOCKLEK = 8,0 mm	
	61019LA	PLAN-CONVEX	DIA = 2" FOKUS = 5" TJOCKLEK = 9,6 mm	
ULTRA LAGABSORBERANDE LINS				
3	61982ULA	MENISCUS	DIA = 1,5" FOKUS = 5" TJOCKLEK = 7,4 mm	
	61983ULA	MENISCUS	DIA = 1,5" FOKUS = 7,5" TJOCKLEK = 7,4 mm	
	60882ULA	PLAN-CONVEX	DIA = 1,5" FOKUS = 7,5" TJOCKLEK = 7,4 mm	
	60883ULA	PLAN-CONVEX	DIA = 1,5" FOKUS = 5" TJOCKLEK = 7,4 mm	
	62670ULA	PLAN-CONVEX	DIA = 1,5" FOKUS = 5" TJOCKLEK = 7,8 mm	
	62649ULA	PLAN-CONVEX	DIA = 1,5" FOKUS = 7,5" TJOCKLEK = 7,8 mm	
	61019ULA	PLAN-CONVEX	DIA = 2" FOKUS = 5" TJOCKLEK = 9,6 mm	
	61405ULA	PLAN-CONVEX	DIA = 2" FOKUS = 7,5" TJOCKLEK = 9,6 mm	

POS	ART. NR.	ORIGINAL KOD	BESKRIVNING	PRIS / ST
	ALI115/M	MZ335-115	INDIUM WIRE 0.8 mm x 125 mm FOR 1,5" LENS	
	ALI120/M	MZ335-120	INDIUM WIRE 0.8 mm x 160 mm FOR 2,0" LENS	
	ALI115	TR300-115	INDIUM WIRE 1.0 mm x 125 mm FOR 1,5" LENS	

RING FÖR MER INFO OCH PRISER OM VÅRA LINSER, LINSHUS OCH SPEGLAR.

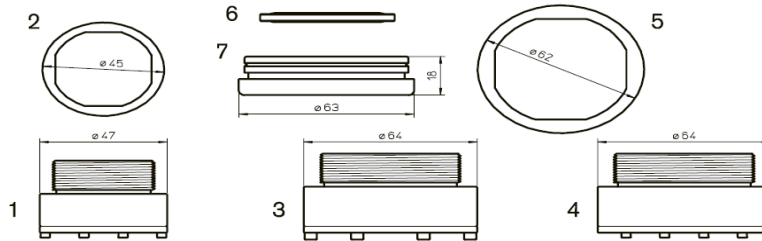
FIBERLASER



POS	ART. NR.	ORIGINAL KOD	BESKRIVNING	PRIS / ST
LINS				
	632291-117	Amada 4KW	DIA = 38,1mm FOKUS = 180mm TJOCKLEK = 3mm	
	632292-117	Amada 4 KW	DIA = 38,1mm FOKUS = 220mm TJOCKLEK = 3,3mm	
	632294-117		DIA = 50,8mm FOKUS = 150mm TJOCKLEK = 11,5mm	
	633112-117		DIA = 50,8mm FOKUS = 190mm TJOCKLEK = 11,5mm	
SKYDDSGLAS				
	632757-117		DIA = 12mm TJOCKLEK = 2mm	
	632346-117		DIA = 50,8mm TJOCKLEK = 6,35mm	
	632880-117		DIA = 19mm TJOCKLEK = 6,35mm	
	632930-117		DIA = 19mm TJOCKLEK = 3mm	
	633220-117		DIA = 38,1mm TJOCKLEK = 6,35mm	

RING FÖR MER INFO OCH PRISER OM VÅRA LINSER OCH SKYDDSGLAS.

AMADA®



POS	ART. NR.	ORIGINAL KOD	BESKRIVNING	PRIS / ST
1	A100		LENS HOUSING Ø 47 mm FOR Ø 1.5" LENSES	
2	AL52	71360261	TEFLON GASKET FOR A100 (1.5")	
3	A105		LENS HOUSING Ø 64mm FOR Ø 2.0" LENSES	
4	A107		LENS HOUSING Ø 64mm FOR Ø 1.5" LENSES	
5	AL149	71361393	TEFLON GASKET FOR 2" LENS HOUSING	
6	AL249	71501071	GASKET FOR A109 & A112	
7	A109		LENS HOUSING Ø 63mm - 5" FO NT	
	A112		LENS HOUSING Ø 63mm - 7.5" FO NT	
	ALI115/M	(not shown)	INDIUM WIRE 1.0 mm x 125 mm (1.5" lens)	
	ALI120/M	(not shown)	INDIUM WIRE 1.0 mm x 160 mm (2.0" lens)	
	MZ427-0230	(not shown)	INDIUM WIRE 0.030" x 6'	



1

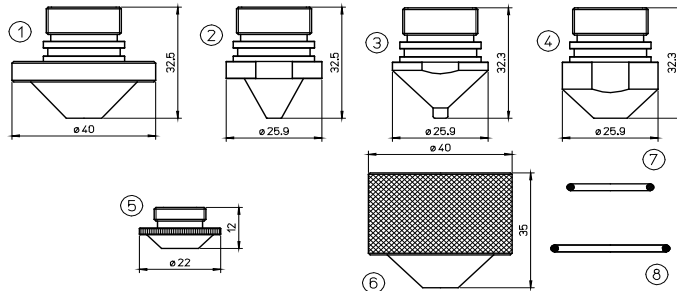
2

3

4

POS	ART. NR.	ORIGINAL KOD	BESKRIVNING	PRIS / ST
1	81059		LENS HOUSING Ø 47 mm FOR Ø 1.5" LENSES	
2	81048		LENS HOUSING Ø 64mm FOR Ø 2.0" LENSES	
3	800407		LENS HOUSING Ø 63mm FOR 5" LENSES FO-NT	
	800406		LENS HOUSING Ø 63mm FOR 7.5" LENSES FO-NT	
4	81027		LENS HOUSING Ø 64mm FOR Ø 1.5" LENSES	

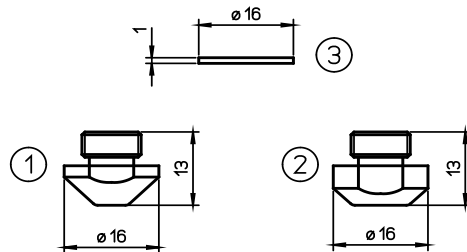
AMADA®



POS	ART. NR.	ORIGINAL KOD	BESKRIVNING	PRIS / ST
1	L896X	71101000	AMADA® NOZZLE CLEAN CUT Ø 1.5	
	L897X	71102000	AMADA® NOZZLE CLEAN CUT Ø 1.75	
	L898X	71101999	AMADA® NOZZLE CLEAN CUT Ø 2.0	
	L899X	71101999	AMADA® NOZZLE CLEAN CUT Ø 2.5	
2	L81X	6506892	AMADA® NOZZLE Ø 1.3 CP	
	L92X	6506892	AMADA® NOZZLE Ø 1.5 CP	
	L93X	6506892	AMADA® NOZZLE Ø 1.8 CP	
	L39X	74712001-6506892	AMADA® NOZZLE Ø 2.0 CP	
3	L63X	71101901	AMADA® NOZZLE Ø 1.3 CP	
	L91X	71101902	AMADA® NOZZLE Ø 1.5 CP	
	L75X	71101901	AMADA® NOZZLE Ø 1.8 CP	
	L29X	71101901-845735	AMADA® NOZZLE Ø 2.0 CP	
	L809X		AMADA® NOZZLE Ø 2.5 CP	
	L808X	71101901	AMADA® NOZZLE Ø 3.0 CP	
4	L297X		AMADA® NOZZLE Ø 1.3 CP	
	L298X	62094001-71102001	AMADA® NOZZLE Ø 1.5 CP	
	L299X	62094001-71102001	AMADA® NOZZLE Ø 1.8 CP	
	L300X	62094001-71102001	AMADA® NOZZLE Ø 2.0 CP	
	L301X	62094002-71102005	AMADA® NOZZLE Ø 3.0 CP	
5	L85X		AMADA® NOZZLE Ø 1.0 CP	
	L94X		AMADA® NOZZLE Ø 1.25 CP	
	L95X		AMADA® NOZZLE Ø 1.5 CP	
	L96X		AMADA® NOZZLE Ø 1.75 CP	
	L38X	74718816-8249301	AMADA® NOZZLE Ø 2.0 CP	
6	L30X	71101905-841143B	AMADA® NOZZLE OUTER CP	
7	AL90	S-20	AMADA® O'RING FOR NOZZLE S-20 - 10 PCS	
8	AL96	1AS-34	AMADA® O'RING FOR NOZZLE OUTER	

X = Kromaterat

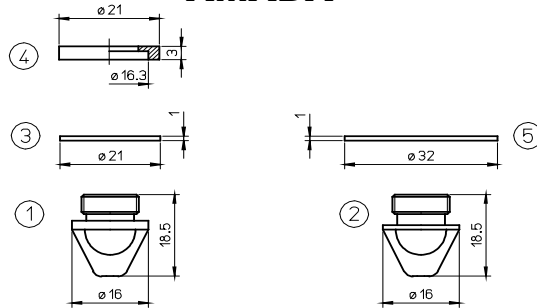
AMADA®



POS	ART. NR.	ORIGINAL KOD	BESKRIVNING	PRIS / ST
1	L171X	62094006	AMADA® NOZZLE Ø 1.0 CP	
	L172X	62094006	AMADA® NOZZLE Ø 1.25 CP	
	L173X	62094006-1507610	AMADA® NOZZLE Ø 1.5 CP	
	L174X	62094006	AMADA® NOZZLE Ø 1.75 CP	
	L27X	62094006-1507611	AMADA® NOZZLE Ø 2.0 CP	
	L175X	62094006	AMADA® NOZZLE Ø 2.5 CP	
	L28X	62094008-71102007	AMADA® NOZZLE Ø 3.0 CP	
2	L750X	62094005	AMADA® NOZZLE Ø 1.0 CP	
	L751X	62094005	AMADA® NOZZLE Ø 1.25 CP	
	L752X	62094005-71341515	AMADA® NOZZLE Ø 1.5 CP	
	L753X	62094005-71341515, 1.75	AMADA® NOZZLE Ø 1.75 CP	
	L754X	62094005-71102006	AMADA® NOZZLE Ø 2.0 CP	
	L755X	62094005	AMADA® NOZZLE Ø 2.5 CP	
	L756X	62094005-71341515-3,0	AMADA® NOZZLE Ø 3.0 CP	
3	AL107	62094006-ring	AMADA® DISC HEAD PROTECTION Ø 16 PLASTIC	

X = Kromaterat

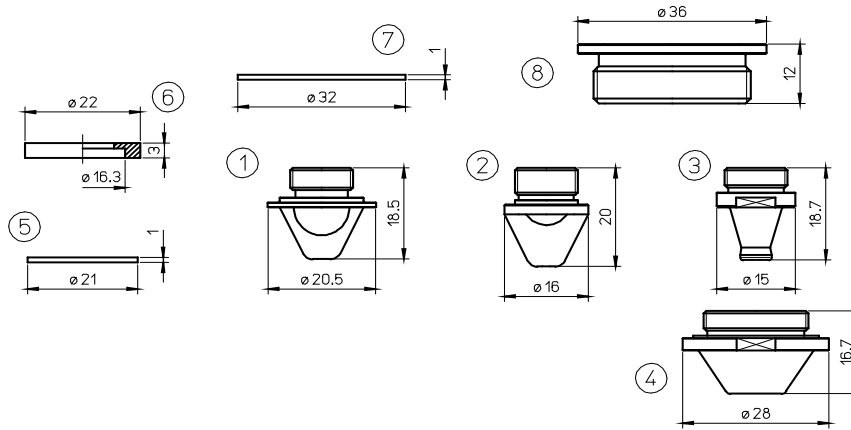
AMADA®



POS	ART. NR.	ORIGINAL KOD	BESKRIVNING	PRIS / ST
1	L760X		AMADA® NOZZLE Ø 0.8 CP	
	L134X	1664545U	AMADA® NOZZLE Ø 1.0 CP	
	L135X	1664545U	AMADA® NOZZLE Ø 1.25 CP	
	L86X	1664545U	AMADA® NOZZLE Ø 1.5 CP	
	L136X	1664545U	AMADA® NOZZLE Ø 1.75 CP	
	L137X	1664545U-71341610	AMADA® NOZZLE Ø 2.0 CP	
	L203X	1664545U	AMADA® NOZZLE Ø 2.5 CP	
	L138X	1664545U-71360142	AMADA® NOZZLE Ø 3.0 CP	
	L339X		AMADA® NOZZLE Ø 4.0 CP	
	L763X		AMADA® NOZZLE Ø 5.0 CP	
2	L192X	CENTRICUT DESIGN	AMADA® NOZZLE Ø 1.0 CP	
	L193X	CENTRICUT DESIGN	AMADA® NOZZLE Ø 1.25 CP	
	L194X	CENTRICUT DESIGN	AMADA® NOZZLE Ø 1.5 CP	
	L195X	CENTRICUT DESIGN	AMADA® NOZZLE Ø 1.75 CP	
	L196X	CENTRICUT DESIGN	AMADA® NOZZLE Ø 2.0 CP	
	L197X	CENTRICUT DESIGN	AMADA® NOZZLE Ø 2.5 CP	
	L198X	CENTRICUT DESIGN	AMADA® NOZZLE Ø 3.0 CP	
3	AL1005	71341614	AMADA® DISC HEAD PROTECTION Ø 21 PLASTIC	
	AL122	71341614	AMADA® DISC HEAD PROTECTION Ø 21 VESPEL	
4	AL123		AMADA® DISC HEAD PROTECTION Ø 21 CERAMIC	
5	AL42		AMADA® DISK HEAD PROTECTION Ø 32 PLASTIC	

X = Kromaterat

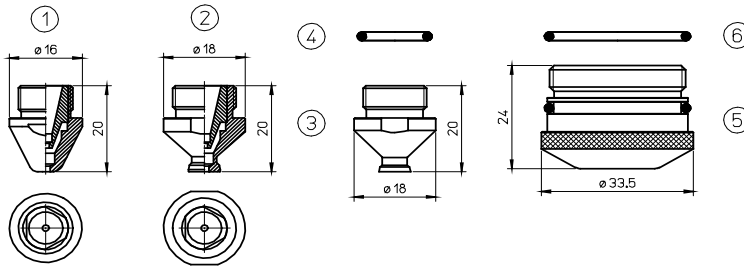
AMADA®



POS	ART. NR.	ORIGINAL KOD	BESKRIVNING	PRIS / ST
1	L1067X		AMADA® NOZZLE Ø 1.5 LARGE FLANGE	
	L1066X		AMADA® NOZZLE Ø 2.0 LARGE FLANGE	
	L1068X		AMADA® NOZZLE Ø 3.0 LARGE FLANGE	
2	L1285X	71341770-1667110	AMADA® NOZZLE Ø 2.0	
	L1287X		AMADA® NOZZLE Ø 3.0	
3	L926X		AMADA® NOZZLE HP-X Ø 0.8 CP	
	L927X		AMADA® NOZZLE HP-X Ø 1.0 CP	
	L928X		AMADA® NOZZLE HP-X Ø 1.2 CP	
	L933X	71398902 - 1034-00-5-1	AMADA® NOZZLE HP-X Ø 1.4 CP	
	L929X		AMADA® NOZZLE HP-X Ø 1.5 CP	
	L930X		AMADA® NOZZLE HP-X Ø 2.0 CP	
	L931X		AMADA® NOZZLE HP-X Ø 2.5 CP	
L932X		AMADA® NOZZLE HP-X Ø 3.0 CP		
4	AL220X		AMADA® NOZZLE OUTER HP-X CP	
5	AL1005	71341614	AMADA® DISC HEAD PROTECTION Ø 21 PLASTIC	
	AL122	71341614	AMADA® DISC HEAD PROTECTION Ø 21 VESPEL	
6	AL123		AMADA® DISC HEAD PROTECTION Ø 21 CERAMIC	
7	AL42		AMADA® DISK HEAD PROTECTION Ø 32 PLASTIC	
8	AL387		AMADA® CERAMIC SPACER 36x12	

X = Kromaterat

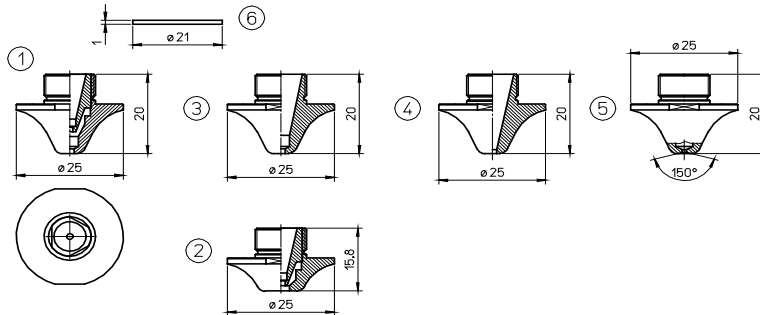
AMADA®



POS	ART. NR.	ORIGINAL KOD	BESKRIVNING	PRIS / ST
1	L390X	1669864-7134162	AMADA® DOUBLE NOZZLE Ø 1.0 CP	
	L392X	1669864-7134162	AMADA® DOUBLE NOZZLE Ø 1.2 CP	
	L393X	1669864-7134162	AMADA® DOUBLE NOZZLE Ø 1.4 CP	
	L391X	1669864-7134162	AMADA® DOUBLE NOZZLE Ø 1.5 CP	
	L780X	1669864-7134162	AMADA® DOUBLE NOZZLE Ø 1.8 CP	
	L315X	1669864-7134162	AMADA® DOUBLE NOZZLE Ø 2.0 CP	
	L316X	1669864-7134162	AMADA® DOUBLE NOZZLE Ø 2.5 CP	
	L317X	1669864-7134163	AMADA® DOUBLE NOZZLE Ø 3.0 CP	
	L768X	1669864-7134162	AMADA® DOUBLE NOZZLE Ø 3.5 CP	
	L319X	1669864-7134162	AMADA® DOUBLE NOZZLE Ø 3.8 CP	
L318X	1669795-71341681	AMADA® DOUBLE NOZZLE Ø 4.0 CP		
2	L387X	6551218-71341682	AMADA® DOUBLE NOZZLE Ø 1.0 CP	
	L386X	6551218-71341682	AMADA® DOUBLE NOZZLE Ø 1.2 CP	
	L389X	6551218-71341682	AMADA® DOUBLE NOZZLE Ø 1.4 CP	
	L388X	6551218-71341682	AMADA® DOUBLE NOZZLE Ø 1.5 CP	
	L764X		AMADA® DOUBLE NOZZLE Ø 1.7 CP	
	L320X	6551218-71341682	AMADA® DOUBLE NOZZLE Ø 2.0 CP	
	L321X	6551218-71341680	AMADA® DOUBLE NOZZLE Ø 2.5 CP	
	L322X	6551218-71341682	AMADA® DOUBLE NOZZLE Ø 3.0 CP	
	L323X	6551218-71341682	AMADA® DOUBLE NOZZLE Ø 3.8 CP	
	L330X	6551218-71341682	AMADA® DOUBLE NOZZLE Ø 4.0 CP	
L781X	6551218-71341682	AMADA® DOUBLE NOZZLE Ø 5.0 CP		
3	L384X	71366090	AMADA® NOZZLE Ø 1.0 CP	
	L765X	71366090	AMADA® NOZZLE Ø 1.2 CP	
	L766X	71366090	AMADA® NOZZLE Ø 1.4 CP	
	L385X	71366090	AMADA® NOZZLE Ø 1.5 CP	
	L324X	71366090	AMADA® NOZZLE Ø 2.0 CP	
	L325X	71366090	AMADA® NOZZLE Ø 2.5 CP	
	L326X	71366090	AMADA® NOZZLE Ø 3.0 CP	
	L327X	71366090	AMADA® NOZZLE Ø 3.8 CP	
L767X	71366090	AMADA® NOZZLE Ø 4.0 CP		
4	AL93	S-14	AMADA® O-RING FOR NOZZLE (10st)	
5	AL115X	71366452	AMADA® NOZZLE OUTER CP	
6	AL94	71366453	AMADA® O-RING FOR NOZZLE OUTER (10st)	

X = Kromaterat

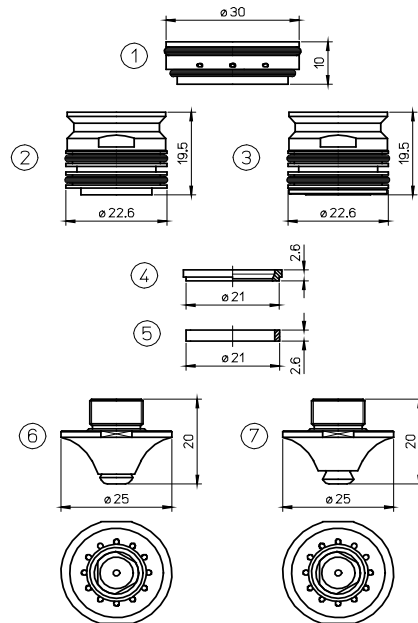
AMADA®



POS	ART. NR.	ORIGINAL KOD	BESKRIVNING	PRIS / ST
1	L585X	1572361	AMADA® DOUBLE NOZZLE Ø 1.2 CP	
	L586X	71369813-71502038-71518550-71341779	AMADA® DOUBLE NOZZLE Ø 1.4 CP	
	L574X	1572361-71518548-1572380	AMADA® DOUBLE NOZZLE Ø 1.7 CP	
	L587X	1572361	AMADA® DOUBLE NOZZLE Ø 2.0 CP	
	L584X	71501059-71515394-71516789-1576398	AMADA® DOUBLE NOZZLE Ø 2.5 CP	
	L588X	1572361	AMADA® DOUBLE NOZZLE Ø 3.0 CP	
	L589X	71501060-71515395-71516790-1576399	AMADA® DOUBLE NOZZLE Ø 4.0 CP (inside Ø 1.5)	
	L1037X		AMADA® DOUBLE NOZZLE Ø 4.0 CP (inside Ø 2.0)	
	L583X	1572361	AMADA® DOUBLE NOZZLE Ø 5.0 CP	
	L569X		AMADA® DOUBLE NOZZLE Ø 6.0 CP	
2	L565X		AMADA® DOUBLE NOZZLE SHORT Ø 4.0 CP	
	L567X		AMADA® DOUBLE NOZZLE SHORT Ø 5.0 CP	
	L568X		AMADA® DOUBLE NOZZLE SHORT Ø 6.0 CP	
3	L590X	1572362	AMADA® NOZZLE Ø 0.8 CP ECO-CUT	
	L591X	1572362	AMADA® NOZZLE Ø 1.0 CP ECO-CUT	
	L592X	71369812-71341778	AMADA® NOZZLE Ø 1.2 CP ECO-CUT	
	L593X	1572362	AMADA® NOZZLE Ø 1.4 CP ECO-CUT	
	L597X	1572368B	AMADA® NOZZLE Ø 1.5 CP ECO-CUT	
	L575X	1572362	AMADA® NOZZLE Ø 1.7 CP ECO-CUT	
	L594X	71501057 - 71515392	AMADA® NOZZLE Ø 2.0 CP ECO-CUT	
	L572X		AMADA® NOZZLE Ø 2.5 CP ECO-CUT	
	L595X	71501058 - 71515393	AMADA® NOZZLE Ø 3.0 CP ECO-CUT	
	L596X	1572362	AMADA® NOZZLE Ø 4.0 CP ECO-CUT	
4	L1027X		AMADA® NOZZLE STRAIGHT TAPER Ø 0.8 CP	
	L1028X		AMADA® NOZZLE STRAIGHT TAPER Ø 1.0 CP	
	L1029X		AMADA® NOZZLE STRAIGHT TAPER Ø 1.2 CP	
	L1030X		AMADA® NOZZLE STRAIGHT TAPER Ø 1.4 CP	
	L599X		AMADA® NOZZLE STRAIGHT TAPER Ø 1.5 CP	
	L598X		AMADA® NOZZLE STRAIGHT TAPER Ø 2.0 CP	
	L571X		AMADA® NOZZLE STRAIGHT TAPER Ø 3.0 CP	
5	L1031X	71502038	AMADA® DOUBLE NOZZLE Ø 1.4 CP WACS CONC	
	L1024X		AMADA® NOZZLE Ø 0.8 CP W/CONCAVE	
	L1025X		AMADA® NOZZLE Ø 1.0 CP W/CONCAVE	
	L1026X	71502037	AMADA® NOZZLE Ø 1.2 CP W/CONCAVE	
6	AL1005	71341614	AMADA® DISC HEAD PROTECTION Ø 21 PLASTIC	
	AL122	71341614	AMADA® DISC HEAD PROTECTION Ø 21 VESPEL	

X = Kromaterat

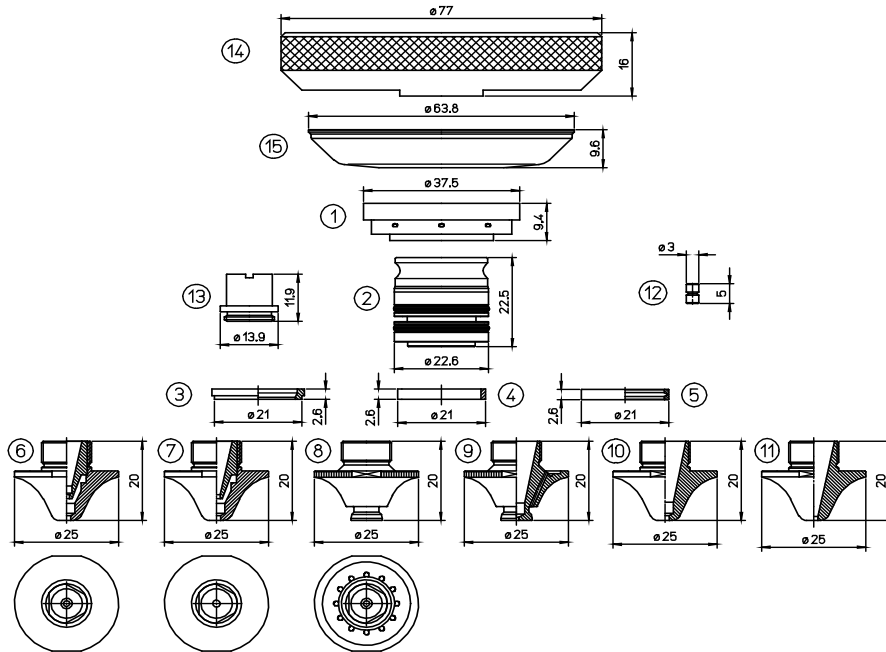
AMADA®



POS	ART. NR.	ORIGINAL KOD	BESKRIVNING	PRIS / ST
1	AL340		AMADA® TEFLON INSULATOR FOR ADAPTOR	
2	AL248	71502036	AMADA® NOZZLE ADAPTOR WITH 8 HOLES	
3	AL348	71502036	AMADA® NOZZLE ADAPTOR WITH 12 HOLES	
	AL268	(visas ej)	AMADA® KIT O-RINGS FOR AL248	
4	AL233		AMADA® TEFLON O-RING FOR W.C. SYST. RIGID	
5	AL234	71515853	AMADA® TEFLON RING FOR WATER COOLED	
6	L1155X	71502039	AMADA® DOUBLE NOZZLE Ø 2.5 CP WITH HOLES	
	L1159X	71502040	AMADA® DOUBLE NOZZLE Ø 4.0 CP WITH HOLES	
7	L1041X		AMADA® DOUBLE NOZZLE Ø 1.4 CP WITH HOLES	
	L1043X		AMADA® DOUBLE NOZZLE Ø 1.7 CP WITH HOLES	
	L1044X		AMADA® DOUBLE NOZZLE Ø 2.0 CP WITH HOLES	
	L1045X	71502039	AMADA® DOUBLE NOZZLE Ø 2.5 CP WITH HOLES	
	L1049X	71502040	AMADA® DOUBLE NOZZLE Ø 4.0 CP WITH HOLES	
	L1050X		AMADA® DOUBLE NOZZLE Ø 5.0 CP WITH HOLES	

X = Kromaterat

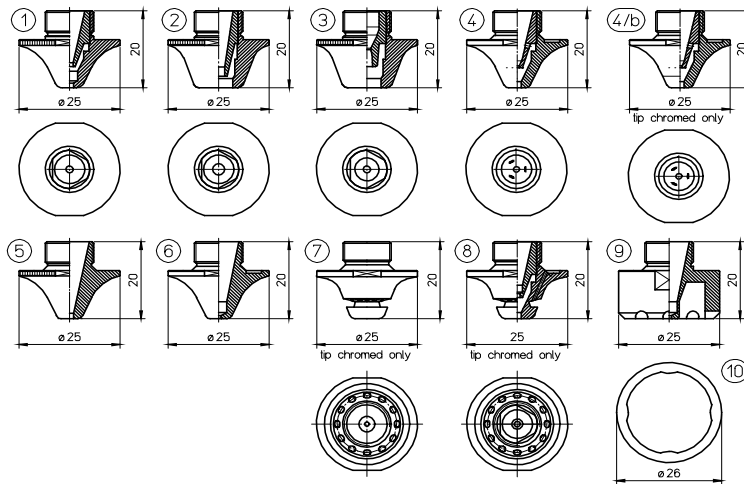
AMADA®



POS	ART. NR.	ORIGINAL KOD	BESKRIVNING	PRIS / ST
1	AL372	7973497-71712349	AMADA® TEFLON HOLDER	
2	AL360	71712350-7973459	AMADA® NOZZLE ADAPTOR WITH HOLES	
	AL360/AM	71712350-7973459	AMADA® NOZZLE ADAPTOR WITH HOLES and INNER	
	AL397		AMADA® KIT O-RING FOR ADAPTER	
3	AL233		AMADA® O-RING TEFLON	
4	AL234	71515853	AMADA® TEFLON COLLAR	
5	AL361	71712340	AMADA® PTFE COLLAR WITH GROOVE	
6	L1401X	71518550-71461029-715020	AMADA® DOUBLE NOZZLE Ø D1.4E CP ECO CUT	
	L1403X	71516789-71501059	AMADA® DOUBLE NOZZLE Ø D2.5 CP ECO CUT	
	L1404X		AMADA® DOUBLE NOZZLE Ø D3.0 CP ECO CUT	
	L1405X	71516790-71501060	AMADA® DOUBLE NOZZLE Ø D4.0 CP ECO CUT	
7	L1406X	71501093	AMADA® DOUBLE NOZZLE Ø D4.0 AL CP	
8	L1352X		AMADA® NOZZLE 1.4 DOUBLE WITH HOLES CP	
	L1352X/TG		AMADA® DOUBLE NOZZLE Ø D1.4W CP WACS WITH COLLAR	
	L1353X		AMADA® NOZZLE 1.7 DOUBLE WITH HOLES CP	
	L1353X/TG		AMADA® DOUBLE NOZZLE Ø D1.7W CP WACS WITH COLLAR	
	L1354X		AMADA® NOZZLE 2.0 DOUBLE WITH HOLES CP	
	L1354X/TG		AMADA® DOUBLE NOZZLE Ø D2.0W CP WACS WITH COLLAR	
	L1355X	71712335	AMADA® NOZZLE 2.5 DOUBLE WITH HOLES CP	
	L1355X/TG	71712335	AMADA® DOUBLE NOZZLE Ø D2.5W CP WACS WITH COLLAR	
	L1359X	71712336 - 71461158	AMADA® DOUBLE NOZZLE Ø D4.0W CP WACS	
	L1359X/TG		AMADA® DOUBLE NOZZLE Ø D4.0W CP WACS AND COLLAR	
	L1360X		AMADA® DOUBLE NOZZLE Ø D5.0W CP WACS	
L1360X/TG		AMADA® DOUBLE NOZZLE Ø D5.0W CP WACS WITH COLLAR		
9	L1568X		AMADA® NOZZLE Ø S1.2W CP WACS	
10	L1407X	71502037	AMADA® NOZZLE 1.2 ECO CUT CP	
11	L1410X		AMADA® NOZZLE Ø S1.4 CP ECO CUT	
	L1411X	71501056	AMADA® NOZZLE Ø S1.5 CP ECO CUT	
	L1412X	71501057-71555124	AMADA® NOZZLE Ø S2.0 CP ECO CUT	
	L1413X	71516788-71501058	AMADA® NOZZLE Ø S3.0 CP ECO CUT	
12	AL359	71712344	AMADA® LOCATING PIN	
13	AL392	71716438 - 71798350	AMADA® INNER FOR ADAPTOR	
14	AL455XH	71712341	AMADA® NUT KIT	
15	AL456XH	71712342	AMADA® COVER KIT	

X = Kromaterat

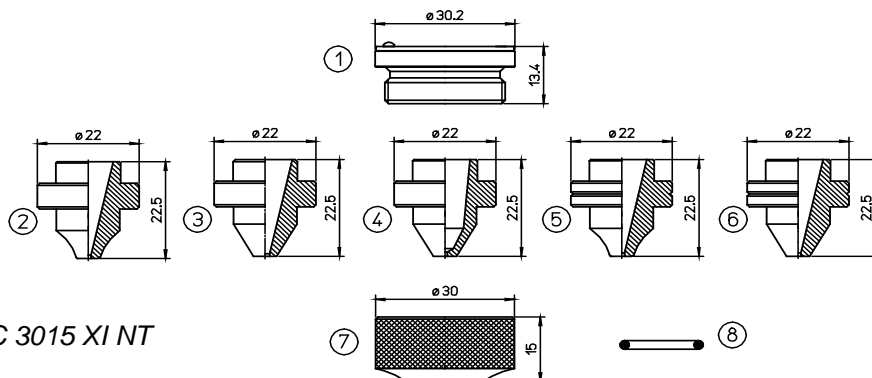
AMADA®



POS	ART. NR.	ORIGINAL KOD	BESKRIVNING	PRIS / ST
1	L1415XH		AMADA® DOUBLE NOZZLE Ø D2.5CC SPECIAL CP FOR CLEAN CUT	
	L1416XH	71341728	AMADA® DOUBLE NOZZLE Ø D4.0CC SPECIAL CP FOR CLEAN CUT	
2	L1417XH		AMADA® DOUBLE NOZZLE Ø D5.0CC SPECIAL CP FOR CLEAN CUT	
	L1418XH		AMADA® DOUBLE NOZZLE Ø D6.0CC SPECIAL CP FOR CLEAN CUT	
	L1419XH	71341729	AMADA® DOUBLE NOZZLE Ø D7.0CC SPECIAL CP FOR CLEAN CUT	
	L1425X	71501092	AMADA® DOUBLE NOZZLE Ø 7.0 AL CC CP	
3	L1420X	71712692	AMADA® DOUBLE NOZZLE Ø 7.0SC CP SILKY CUT	
4	L1645X	71570022	AMADA® DOUBLE NOZZLE Ø D2.0F CP	
	L1646X		AMADA® DOUBLE NOZZLE Ø D2.5F CP	
	L1649X		AMADA® DOUBLE NOZZLE Ø D4.0F CP	
4/b	L1644XH		AMADA® DOUBLE NOZZLE Ø D1.5F CP	
	L1645XH		AMADA® DOUBLE NOZZLE Ø D4.0F CP	
5	L1421XH		0 AMADA® NOZZLE Ø S1.5CC SPECIAL CP FOR CLEAN CUT	
	L1422XH	71502043	AMADA® NOZZLE Ø S2.0CC SPECIAL CP FOR CLEAN CUT	
	L1424XH		0 AMADA® NOZZLE Ø S2.5CC SPECIAL CP FOR CLEAN CUT	
	L1423XH	71502044	AMADA® NOZZLE Ø S3.0CC SPECIAL CP FOR CLEAN CUT	
6	L1560X	0	AMADA® NOZZLE Ø S0.8 FE CP	
	L1561X	71570021	AMADA® NOZZLE Ø S1.0 FE CP	
	L1562X	71570020	AMADA® NOZZLE Ø S1.2 FE CP	
	L1563X		AMADA® NOZZLE Ø S1.4 FE CP	
7	L1653XH		AMADA® NOZZLE Ø S0.8 FE FIBER CP	
	L1653XH/TG		AMADA® NOZZLE Ø S0.8 FE FIBER CP WITH COLLAR	
	L1654XH	71570030	AMADA® NOZZLE Ø S1.0 FE FIBER CP	
	L1654XH/TG	71570030	AMADA® NOZZLE Ø S1.0 FE FIBER CP WITH COLLAR	
	L1655XH	71570023	AMADA® NOZZLE Ø S1.2 FE FIBER CP	
	L1655XH/TG	71570023	AMADA® NOZZLE Ø S1.2 FE FIBER CP WITH COLLAR	
	L1656XH		AMADA® NOZZLE Ø S1.4 FE FIBER CP	
	L1656XH/TG		AMADA® NOZZLE Ø S1.4 FE FIBER CP WITH COLLAR	
	L1657XH		AMADA® NOZZLE Ø S1.7 FE FIBER CP	
	L1657XH/TG		AMADA® NOZZLE Ø S1.7 FE FIBER CP WITH COLLAR	
	L1658XH		AMADA® NOZZLE Ø S2.0 FE FIBER CP	
L1658XH/TG	0	AMADA® NOZZLE Ø S2.0 FE FIBER CP WITH COLLAR		
8	L1900XH		AMADA® DOUBLE NOZZLE D1.2 FE FIBER CP	
	L1901XH		AMADA® DOUBLE NOZZLE D1.5 FE FIBER CP	
9	L1333		AMADA® NOZZLE Ø 2,0	
10	AL403		AMADA® PTFE COLLAR	

X = Kromaterat

AMADA®

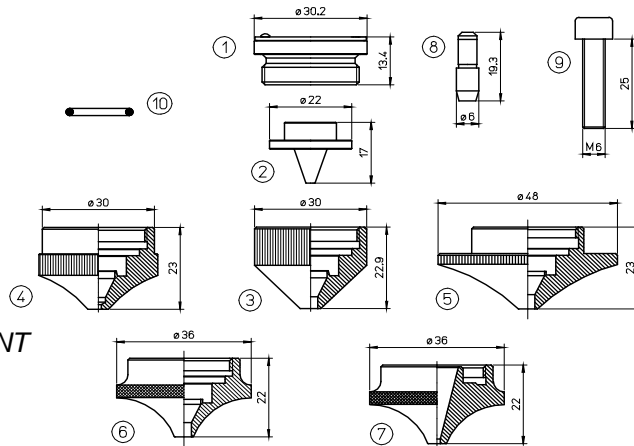


LC 3015 XI NT

POS	ART. NR.	ORIGINAL KOD	BESKRIVNING	PRIS / ST
1	AL267	P0594-860-00001	AMADA® NOZZLE HOLDER IT HP2" MZP/MEL	
2	L1126	BQ933D283H01	AMADA® NOZZLE Ø 1.0 RADIUS NO GROOVE	
3	L1134	71800018 - BQ943D157H01	AMADA® NOZZLE Ø 1.5	
	L1131		AMADA® NOZZLE Ø 1.7	
	L1135	71800019 - BQ943D157H02	AMADA® NOZZLE Ø 2.0	
	L1136	71800020 - BQ943D157H03	AMADA® NOZZLE Ø 2.5	
	L1137	71800021 - BQ943D157H04	AMADA® NOZZLE Ø 3.0	
	L1138	71800022 - BQ943D596H01	AMADA® NOZZLE Ø 3.5	
	L1139		AMADA® NOZZLE Ø 4.0	
	L1140X	71800109 - BQ943D714H01 - W18Q94371401	AMADA® NOZZLE Ø 4.0 CP FOR FOCUS POINT	
4	L1125	71800016 - BQ943D897H01 - W18Q94389701	AMADA® HV NOZZLE Ø 1.0	
	L1128	W18Q93309101	AMADA® NOZZLE Ø 2.5	
	L1129	W18Q93309102	AMADA® NOZZLE Ø 3.0	
5	L1130	71800017 - BQ943D269H01 - W18Q93326901	AMADA® HV NOZZLE Ø 1.2 WITH RADIUS	
6	L1132	W18Q93302701	AMADA® HV NOZZLE Ø 1.7	
7	AL269	71800026 - BQ933D94H01	AMADA® NOZZLE NUT SHORT	
8	AL388	W290-71800107	MITSUBISHI® O-RING	

X = Kromaterat

AMADA®

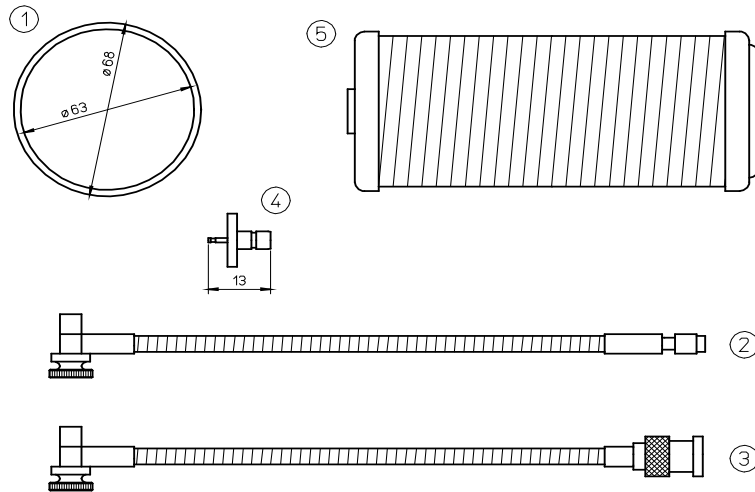


LC 3015 XI NT

POS	ART. NR.	ORIGINAL KOD	BESKRIVNING	PRIS / ST
1	AL267	P0594-860-00001	AMADA® NOZZLE HOLDER IT HP2" MZP/MEL	
2	L1119	71800023 - BQ943D156H01	AMADA® DOUBLE NOZZLE 8 HOLES	
	L1123	71800024 - BQ943D156H01	AMADA® DOUBLE NOZZLE 24 HOLES	
	L1120		AMADA® DOUBLE NOZZLE 8 HOLES Ø 2.0	
	L1124		AMADA® DOUBLE NOZZLE 24 HOLES Ø 2.0	
3	AL238	71800027 - BQ933D221H04 - P059386000001	AMADA® SHIELD CUP SHORT	
	AL238X		AMADA® SHIELD CUP SHORT KROM.	
4	AL302		AMADA® - MITSUBISHI® OUTER NOZZLE Ø 1.7	
	AL303		AMADA® - MITSUBISHI® OUTER NOZZLE Ø 2.0	
	AL304		AMADA® - MITSUBISHI® OUTER NOZZLE Ø 2.5	
	AL305		AMADA® - MITSUBISHI® OUTER NOZZLE Ø 3.0	
	AL306		AMADA® - MITSUBISHI® OUTER NOZZLE Ø 4.0	
5	AL266	BQ933D044H01 - 71800101 - W18Q93304401	AMADA® OUTER NOZZLE HIGH SPEED PIERCE	
6	AL270	71802197 - BQ933D044H01	AMADA® - MITSUBISHI® OUTER NOZZLE	
7	L1262	7180015400 - BQ023D020H01	AMADA® NOZZLE HIGH SPEED PIERCE Ø 1.7	
8	AL345	71800009 - P921K000P25 - JPZA5-6	AMADA® SAFETY PIN	
9	AL346	71800008 - L249OA005	AMADA® SAFETY SCREW	
10	AL388	W290-71800107	MITSUBISHI® O-RING	

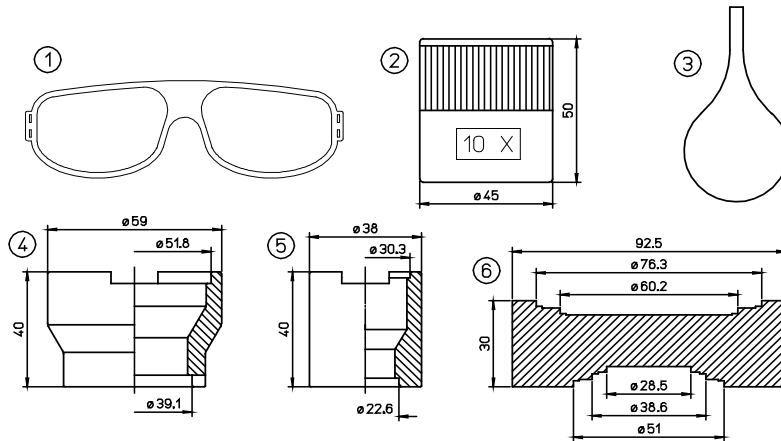
X = Kromaterat

AMADA®



POS	ART. NR.	ORIGINAL KOD	BESKRIVNING	PRIS / ST
1	AL56		AMADA® GASKET TEFLON FOR SENSOR HEAD	
2	AL200	71341630	AMADA® CONNECTING CABLE HS 5	
3	AL260	71398965	AMADA® CONNECTING CABLE HS-15 FO	
4	AL263		AMADA® SENSOR CABLE CONNECTOR	
5	71232023	71232023	AMADA® FILTER VACUUM PUMP	

AMADA®



POS	ART. NR.	ORIGINAL KOD	BESKRIVNING	PRIS / ST
1	AL1100		LASER CO2 GLASSES CE APPROVED DIL3	
2	AL255	091860	SCALE LUPE	
3	AL282		ACC. INJECTOR	
4	AL271	TR300-271	BASE FOR LENS MAINTENANCE	
5	AL276		ACC. BASE FOR MIRROR MAINTENENCE	
6	AL370		ACC.BASE FOR LENS AND MIRROR CLEANING	
	SC100	AM313-SC100	LENS CLEANING PAPER - 50 sheets	
	AL1001	123602	LENS CLEANING LIQUID - 200 ml	
	AL1002		MIRROR CLEANING LIQUID - 200 ml	
	AL1003-100	240568-100	ACC. LENS CLEANING POLISH - ml 100	
	AL1003-200	240568-200	ACC. LENS CLEANING POLISH - ml 200	
	AL1004		POLISH DETERGENT - 200 ml	
	EZ020003-101		LENS CLEANING WIPES EZ CLEAN - 24 pieces	
	TOPOL2	367432	LENS POLISH - 125 ml	
	TR300-7388	787388	MIRROR POLISH - 250 ml	
	AL1010	TR300-1010	DROPPER FOR LENS CLEANING LIQUID	
	SC20	TR300-SC20	COTTON SWAB (tops) - 20 pieces	
	TX762	TR300-0762	LONG-HANDLED SWAB-100 PCS PACK	
	TX714A	TR300-0714	LARGE ALPHA SWAB-conf.100 pz.	
	AL1115	TR300-1115	LENS CLEANING PRE-CUT COTTON - 80 pieces	
	AL1120	HG 15.136	LATEX GLOVES - 10 pieces	
	LUFTSPRAY		BLÅS RENT	
	910000		RENGÖRINGSVÄSKA TILL LINSER	
	ALI115/M	MZ335-115	INDIUM WIRE 1,0 mm x 125 mm FOR 1,5" LENS	
	ALI120/M	MZ335-120	INDIUM WIRE 1,0 mm x 160 mm FOR 2,0" LENS	
	351260-009	EZ-POLARIZER	VERKTYG FÖR KONTROLL AV LINSER 1,5"	
	351280-009	EZ-POLARIZER	VERKTYG FÖR KONTROLL AV LINSER 2"	