

TRUMPF®



Duralens - Högkvalitativ Lins

- Absorberar $\leq 0,20\%$
- Konstruerad för hög hållbarhet och noggrannhet
- Tillverkad med högsta precision
- Godkänd och använd av ledande maskintillverkare



Black Magic – Lågabsorberande Lins

- Absorberar $\leq 0,15\%$
- Hårdaste ytan på marknaden för ökad livslängd
 - Bäst på att stöta bort stänk
 - Enklare att rengöra och underhålla
 - Motståndskraftig mot fukt
- Rekommenderad och godkänd av ledande maskintillverkare
- Den är EJ radioaktiv
- Utmärker sig vid skärning i bl.a. aluminium och rostfritt stål



Clear Magic – Ultra Lågabsorberande Lins

- Absorberar $\leq 0,13\%$ under hela livslängden
 - Maximal stabilitet i fokusläget
- Transparent ytskikt släpper igenom HeNe-strålar så de blir synliga på arbetsstycket
- Polariserande filter hjälper till att upptäcka termiskt inducerad stress
- Rekommenderad och godkänd av ledande maskintillverkare
- Hårdaste ytan på marknaden för ökad livslängd
 - Bäst på att stöta bort stänk
 - Enklare att rengöra och underhålla
 - Motståndskraftig mot fukt
- Den är EJ radioaktiv
- Utmärker sig vid skärning i bl.a. aluminium och rostfritt stål

LINSER



POS	ART. NR.	ORIGINAL KOD	BESKRIVNING	PRIS / ST
GUL LINS FASAD MED RFID-CHIP				
1	631091-117	1772319	DIA = 40mm FOKUS = 130mm	
	631090-117	1770805	DIA = 40mm FOKUS = 250mm	
	633126-117	1830767	DIA = 50mm FOKUS = 170mm	
	631089-117	1795719	DIA = 50mm FOKUS = 175mm	
	631088-117	1796128	DIA = 50mm FOKUS = 250mm	
GUL LINS FASAD - (UTAN CHIP)				
2	630790-117	380117	DIA = 40mm FOKUS = 130mm	
	630789-217	380115	DIA = 40mm FOKUS = 250mm	
	633125-117		DIA = 50mm FOKUS = 170mm	
	62440	1330448	DIA = 50mm FOKUS = 175mm	
	62439	1330443	DIA = 50mm FOKUS = 250mm	
GUL LINS				
3	61962	MENISCUS	DIA = 1,5" FOKUS = 3,7" TJOCKLEK = 7,4 mm	
	61982	MENISCUS	DIA = 1,5" FOKUS = 5" TJOCKLEK = 7,4 mm	
	61983	MENISCUS	DIA = 1,5" FOKUS = 7,5" TJOCKLEK = 7,4 mm	
	61961	MENISCUS	DIA = 1,5" FOKUS = 8,9" TJOCKLEK = 7,4 mm	
	61960	MENISCUS	DIA = 1,5" FOKUS = 10,0" TJOCKLEK = 7,36 mm	
LÅGABSORBERANDE SVART LINS				
4	61962LA	MENISCUS	DIA = 1,5" FOKUS = 3,7" TJOCKLEK = 7,4 mm	
	61982LA	MENISCUS	DIA = 1,5" FOKUS = 5" TJOCKLEK = 7,4 mm	
	61983LA	MENISCUS	DIA = 1,5" FOKUS = 7,5" TJOCKLEK = 7,4 mm	
	61961LA	MENISCUS	DIA = 1,5" FOKUS = 8,9" TJOCKLEK = 7,4 mm	
ULTRA LÅGABSORBERANDE LINS				
5	61982ULA	MENISCUS	DIA = 1,5" FOKUS = 5" TJOCKLEK = 7,4 mm	
	61983ULA	MENISCUS	DIA = 1,5" FOKUS = 7,5" TJOCKLEK = 7,4 mm	
	61961ULA	MENISCUS	DIA = 1,5" FOKUS = 8,9" TJOCKLEK = 7,4 mm	
	61960ULA	MENISCUS	DIA = 1,5" FOKUS = 10,0" TJOCKLEK = 7,36 mm	

RING FÖR MER INFO OCH PRISER OM VÅRA LINSER OCH SPEGLAR.

FIBERLASER



POS	ART. NR.	ORIGINAL KOD	BESKRIVNING	PRIS / ST
LINS				
	633120-117		DIA = 50mm FOKUS = 220mm TJOCKLEK = 2,7mm	
	633190-117		DIA = 40mm FOKUS = 150mm TJOCKLEK = 5mm	
SKYDDSGLAS				
	632251-117	AM 1614767	DIA = 34mm TJOCKLEK = 5mm	
	632713-117	PN 0759720 , 0158011532 , 10.02.01.0591	DIA = 55mm TJOCKLEK = 1,5mm	

SPEGLAR

	ART. NR.	ORIGINAL KOD	BESKRIVNING	PRIS / ST
	62239	129881	SI 0 PHASE SHIFT 68 X 20 mm	
	62238	129880	SI 90 PHASE SHIFT 68 X 20 mm	
	61811	133348	SI 0 PHASE SHIFT 2" X 0,4"	
	61822	133349	SI 90 PHASE SHIFT 2" X 0,4"	
	631062-115	920689	CU W/C MIRROR	
	62391	96066	MMR MIRROR 1,5" X 0,375"	
	631294-117	976345	PLM-HR SEG MIRROR 1,5" X 0,375"	
	631048-117	363979	OUTPUT COUPLER P0/7MCC	
	631049-117	365284	OUTPUT COUPLER P0/P0	
	631046-117	352628	END MIRROR P0/30CC	
	631047-117	342713	END MIRROR P0/20CC	

BÄLGAR

	ART. NR.	ORIGINAL KOD	BESKRIVNING	PRIS / ST
3030		921742	X axis bellows rear + front +left +right	
		141394	Y axis bellows rear + front	
		939015	bellow axis X front	
		920715	bellow axis X rear	
		939016	bellow axis Y left	
		920716	bellow axis Y right	
		910354	bellow axis Z	

	ART. NR.	ORIGINAL KOD	BESKRIVNING	PRIS / ST
3050		old981757/1302020new	bellow axis X front and middle left	
		old981710/1307207new	bellow axis X front + rear right	
		old981756/1302018new	bellow axis X rear left	
		979561	bellow axis Z back	
		1261298	Bellow axis Z Front	
		1226193	bellow axis Y right	
		old981753/1302386new	u axis front+rear bellow	
		910354	Beam guideway bellow axis Z	
		old1226192/1353514new	Bellow axis Y + Y beam guideway left	
		old978079/1271514new	Beam guideway axis X front and rear	

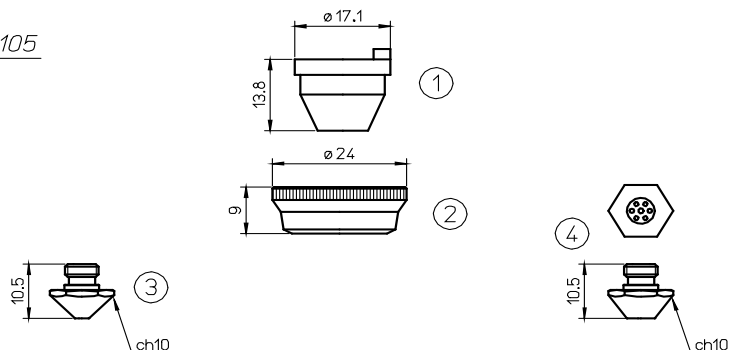
BÄLGAR

	ART. NR.	ORIGINAL KOD	BESKRIVNING	PRIS / ST
4030		921870	bellow axis X front left	
		921870	bellow axis X front right	
		921870	bellow axis X back left	
		921870	bellow axis X back right	
		144949	bellow axis Y left	
		144949	bellow axis Y right	
		976624	bellow axis X front	
		939017	bellow axis X back	
		938000	bellow axis Y left	
		920719	bellow axis Y right	
	910354	bellow axis Z		

	ART. NR.	ORIGINAL KOD	BESKRIVNING	PRIS / ST
4050		1222529	bellow axis X front + middle left	
		1222573	bellow axis X front + rear right	
		1222571	bellow axis X rear left	
		979561	bellow axis Z back	
		1261298	bellow axis Z front	
		1222111	bellow axis Y right	
		1222528	U axis front + rear bellow	
		rectangle bellow 1222575	Beam guideway bellow axis X left	
		rectangle bellow 1222576	Beam guideway bellow axis X right	
		1222110	bellow axis Y + Y beam guideway left	
		910354	Beam guideway bellow axis Z	

TRUMPF®

LASER TLC 105

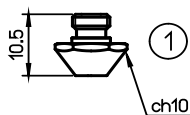


POS	ART. NR.	ORIGINAL KOD	BESKRIVNING	PRIS / ST
1	AL53	280408-092405	TRUMPF® ORIG. NOZZLE HOLDER KT M1.5" KN	
2	AL177	280550-PO494-940-00001	TRUMPF® ORIG. RING	
3	L211	226939	TRUMPF® NOZZLE Ø 1.0	
	L212		TRUMPF® NOZZLE Ø 1.4	
	L213		TRUMPF® NOZZLE Ø 1.7	
	L211X	226939	TRUMPF® NOZZLE Ø 1.0 CP	
	L212X		TRUMPF® NOZZLE Ø 1.4 CP	
	L213X		TRUMPF® NOZZLE Ø 1.7 CP	
	L214		TRUMPF® NOZZLE Ø 1.0 HD	
	L215	226940	TRUMPF® NOZZLE Ø 1.4 HD	
	L216	227144	TRUMPF® NOZZLE Ø 1.7 HD	
	L214X		TRUMPF® NOZZLE Ø 1.0 HD CP	
	L215X	226940	TRUMPF® NOZZLE Ø 1.4 HD CP	
	L216X	227144	TRUMPF® NOZZLE Ø 1.7 HD CP	
4	L395	237364	TRUMPF® SHOWER NOZZLE Ø 1.0	

X = Kromaterat

XH = Extra tjock kromatering (för en längre livslängd)

TRUMPF®

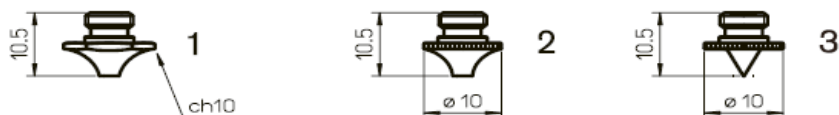


POS	ART. NR.	ORIGINAL KOD	BESKRIVNING	PRIS / ST
1	L1150	135420-1354230	TRUMPF® NOZZLE Ø 0.8	
	L255	212334	TRUMPF® NOZZLE Ø 1.0	
	L1150X		TRUMPF® NOZZLE Ø 0.8 CP	
	L255X	212334	TRUMPF® NOZZLE Ø 1.0 CP	
	L1151	212334	TRUMPF® NOZZLE Ø 0.8 HD	
	L270		TRUMPF® NOZZLE Ø 1.0 HD	
	L256	216199	TRUMPF® NOZZLE Ø 1.4 HD	
	L257	225213	TRUMPF® NOZZLE Ø 1.7 HD	
	L1147	1487009	TRUMPF® NOZZLE Ø 2,0 HD	
	L277	126156	TRUMPF® NOZZLE Ø 2.3 HD	
	L1152		TRUMPF® NOZZLE Ø 2.7 HD	
	L1151X		TRUMPF® NOZZLE Ø 0.8 HD CP	
	L270X		TRUMPF® NOZZLE Ø 1.0 HD CP	
	L256X	216199	TRUMPF® NOZZLE Ø 1.4 HD CP	
	L257X	225213	TRUMPF® NOZZLE Ø 1.7 HD CP	
	L277X	126156	TRUMPF® NOZZLE Ø 2.3 HD CP	
L1152X		TRUMPF® NOZZLE Ø 2.7 HD CP		

X = Kromaterat

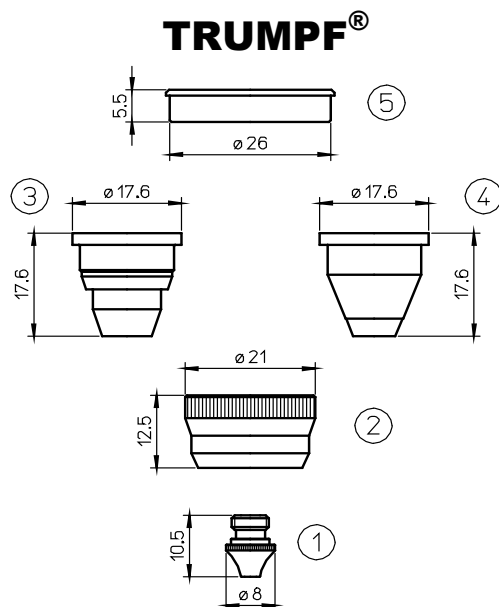
TRUMPF®

LASER TLC 105



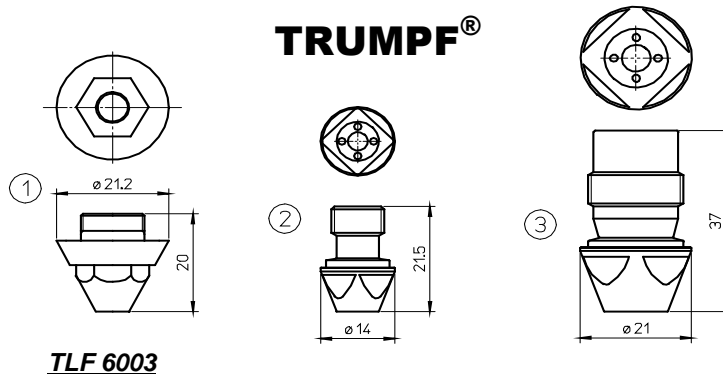
POS	ART. NR.	ORIGINAL KOD	BESKRIVNING	PRIS / ST
1	L625	135320	TRUMPF® NOZZLE Ø 1.0	
	L625X	135320	TRUMPF® NOZZLE Ø 1.0 CP	
	L627		TRUMPF® NOZZLE Ø 1.0 HD	
	L628	135318	TRUMPF® NOZZLE Ø 1.4 HD	
	L629	126157	TRUMPF® NOZZLE Ø 1.7 HD	
	L627X		TRUMPF® NOZZLE Ø 1.0 HD CP	
	L628X	135318	TRUMPF® NOZZLE Ø 1.4 HD CP	
	L629X	126157	TRUMPF® NOZZLE Ø 1.7 HD CP	
	2	L746		TRUMPF® NOZZLE Ø 0.25
L267		135318	TRUMPF® NOZZLE Ø 1.0 HD	
L1153			TRUMPF® NOZZLE Ø 1.2 HD	
L268		126157	TRUMPF® NOZZLE Ø 1.4 HD	
L269			TRUMPF® NOZZLE Ø 1.7 HD	
L267X		135318	TRUMPF® NOZZLE Ø 1.0 HD CP	
L1153X			TRUMPF® NOZZLE Ø 1.2 HD CP	
L268X		126157	TRUMPF® NOZZLE Ø 1.4 HD CP	
L269X			TRUMPF® NOZZLE Ø 1.7 HD CP	
3	L747		TRUMPF® NOZZLE SHARP TIP	

X = Kromaterat



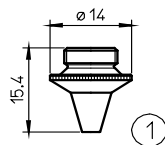
POS	ART. NR.	ORIGINAL KOD	BESKRIVNING	PRIS / ST
1	L745	958206	TRUMPF® NOZZLE Ø 0.25	
	L500	913799	TRUMPF® NOZZLE Ø 0.8 HD	
	L501	913800	TRUMPF® NOZZLE Ø 1.0 HD	
	L498	1487034	TRUMPF® NOZZLE Ø 1.2 HD	
	L502	913801	TRUMPF® NOZZLE Ø 1.4 HD	
	L503	937988	TRUMPF® NOZZLE Ø 1.7 HD	
	L499		TRUMPF® NOZZLE Ø 1.75 HD	
	L508		TRUMPF® NOZZLE Ø 2.0 HD	
	L504	937989	TRUMPF® NOZZLE Ø 2.3 HD	
	L500X	913799	TRUMPF® NOZZLE Ø 0.8 HD CP	
	L501X	913800	TRUMPF® NOZZLE Ø 1.0 HD CP	
	L498X	1487034	TRUMPF® NOZZLE Ø 1.2 HD CP	
	L502X	913801	TRUMPF® NOZZLE Ø 1.4 HD CP	
	L503X	937988	TRUMPF® NOZZLE Ø 1.7 HD CP	
	L508X		TRUMPF® NOZZLE Ø 2.0 HD CP	
	L504X	937989	TRUMPF® NOZZLE Ø 2.3 HD CP	
	2	AL254	0913965	TRUMPF® RETAINER NUT
3	AL412	936678 - 913966/00-WO	TRUMPF® CERAMIC NOZZLE HOLDER	
4	AL212	936678 - 913966/00-WO	TRUMPF® CERAMIC NOZZLE HOLDER	
5	AL389	960354	TRUMPF® INSULATOR TEFLON	

X = Kromaterat

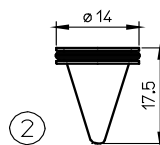


POS	ART. NR.	ORIGINAL KOD	BESKRIVNING	PRIS / ST
1	L1010X	932530	TRUMPF® NOZZLE Ø 4.5 CP	
2	L1185	924947	TRUMPF® WELDING NOZZLE M10	
3	L1186	220783	TRUMPF® WELDING NOZZLE M18	

TESTA YH27



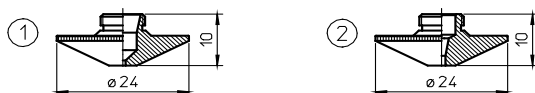
YAG



POS	ART. NR.	ORIGINAL KOD	BESKRIVNING	PRIS / ST
1	L405	281813-P0589-424-00008	PRECITEC® NOZZLE Ø 0.8	
	L406	281789-P0589-426-00010	PRECITEC® NOZZLE Ø 1.0	
	L404	281561 - 778550	PRECITEC® NOZZLE Ø 1.2	
	L407	281814 - 149957	PRECITEC® NOZZLE Ø 1.5	
	L408	P0589-428-00020	PRECITEC® NOZZLE Ø 2.0	
	L405X	281813-P0589-424-00008	PRECITEC® NOZZLE Ø 0.8 CP	
	L406X	281789-P0589-426-00010	PRECITEC® NOZZLE Ø 1.0 CP	
	L404X	281561-778550-P0589-425-00012	PRECITEC® NOZZLE Ø 1.2 CP	
	L407X	281814 - 149957	PRECITEC® NOZZLE Ø 1.5 CP	
	L408X	P0589-428-00020	PRECITEC® NOZZLE Ø 2.0 CP	
2	L507	12-11-16-00	TRUMPF® YAG NOZZLE Ø 0.8 W/O-RING	
	L506		TRUMPF® YAG NOZZLE Ø 1.0 W/O-RING	
	L505	12-11-09-17/00	TRUMPF® YAG NOZZLE Ø 1.2 W/O-RING	

X = Kromaterat

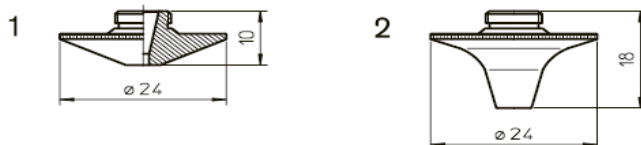
TRUMPF®



POS	ART. NR.	ORIGINAL KOD	BESKRIVNING	PRIS / ST
1	L18	124561-237499	TRUMPF® NOZZLE Ø 0.8	
	L19	124562-237498	TRUMPF® NOZZLE Ø 1.0	
	L361	966809	TRUMPF® NOZZLE Ø 1.2	
	L795		TRUMPF® NOZZLE Ø 1.4	
	L26	237500	TRUMPF® NOZZLE Ø 1.5	
	L796		TRUMPF® NOZZLE Ø 1.7	
	L24	237503	TRUMPF® NOZZLE Ø 2.0	
	L797	124564	TRUMPF® NOZZLE Ø 2.3	
	L25	237504	TRUMPF® NOZZLE Ø 3.0	
	L18X	352280	TRUMPF® NOZZLE Ø 0.8 CP	
	L19X	352281	TRUMPF® NOZZLE Ø 1.0 CP	
	L361X	352282	TRUMPF® NOZZLE Ø 1.2 CP	
	L795X		TRUMPF® NOZZLE Ø 1.4 CP	
	L26X	352288	TRUMPF® NOZZLE Ø 1.5 CP	
	L796X		TRUMPF® NOZZLE Ø 1.7 CP	
	L24X		TRUMPF® NOZZLE Ø 2.0 CP	
	L797X	124564	TRUMPF® NOZZLE Ø 2.3 CP	
	L25X	237504	TRUMPF® NOZZLE Ø 3.0 CP	
	2	L20	237497	TRUMPF® NOZZLE Ø 1.4 HD
L20X		352283	TRUMPF® NOZZLE Ø 1.4 HD CP	

X = Kromaterat

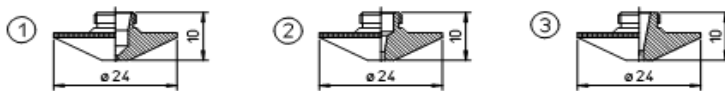
TRUMPF®



POS	ART. NR.	ORIGINAL KOD	BESKRIVNING	PRIS / ST
1	L258	237497/S	TRUMPF® NOZZLE Ø 1.4 HD	
	L21	237501	TRUMPF® NOZZLE Ø 1.7 HD	
	L168	237502	TRUMPF® NOZZLE Ø 2.0 HD	
	L76	126933	TRUMPF® NOZZLE Ø 2.3 HD	
	L185		TRUMPF® NOZZLE Ø 2.5 HD	
	L360	942742	TRUMPF® NOZZLE Ø 2.7 HD	
	L396		TRUMPF® NOZZLE Ø 3.0 HD	
	L258X	237497/S	TRUMPF® NOZZLE Ø 1.4 HD CP	
	L21X	352284	TRUMPF® NOZZLE Ø 1.7 HD CP	
	L168X	352287	TRUMPF® NOZZLE Ø 2.0 HD CP	
	L76X	352285	TRUMPF® NOZZLE Ø 2.3 HD CP	
	L185X		TRUMPF® NOZZLE Ø 2.5 HD CP	
	L360X	352286	TRUMPF® NOZZLE Ø 2.7 HD CP	
	L396X		TRUMPF® NOZZLE Ø 3.0 HD CP	
2	L1550	1277773	TRUMPF® NOZZLE Ø 0.8	
	L1551	1277771	TRUMPF® NOZZLE Ø 1.0	
	L1552	1277774	TRUMPF® NOZZLE Ø 1.2	
	L1553	1277776	TRUMPF® NOZZLE Ø 1.4	
	L1554	1277779	TRUMPF® NOZZLE Ø 1.7	
	L1555	1277780	TRUMPF® NOZZLE Ø 2.0	
	L1556	1277781	TRUMPF® NOZZLE Ø 2.3	
	L1557	1277782	TRUMPF® NOZZLE Ø 2.7	
	L1550X		TRUMPF® NOZZLE Ø 0.8 CP	
	L1551X		TRUMPF® NOZZLE Ø 1.0 CP	
	L1552X		TRUMPF® NOZZLE Ø 1.2 CP	
	L1553X		TRUMPF® NOZZLE Ø 1.4 CP	
	L1554X		TRUMPF® NOZZLE Ø 1.7 CP	
	L1555X		TRUMPF® NOZZLE Ø 2.0 CP	
L1556X		TRUMPF® NOZZLE Ø 2.3 CP		
L1557X		TRUMPF® NOZZLE Ø 2.7 CP		

X = Kromaterat

TRUMPF®

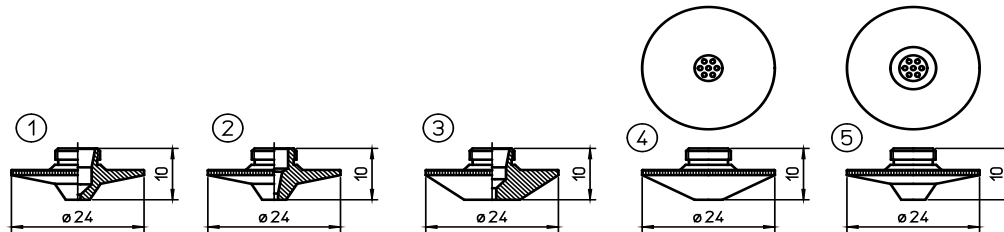


POS	ART. NR.	ORIGINAL KOD	BESKRIVNING	PRIS / ST
1	L18XH	352280	TRUMPF® NOZZLE Ø 0.8 SPECIAL CP	
	L19XH	352281	TRUMPF® NOZZLE Ø 1.0 SPECIAL CP	
	L361XH	352282	TRUMPF® NOZZLE Ø 1.2 SPECIAL CP	
2	L20XH	352283	TRUMPF® NOZZLE Ø 1.4 HD SPECIAL CP	
3	L258XH		TRUMPF® NOZZLE Ø 1.4 HD SPECIAL CP	
	L21XH	352284	TRUMPF® NOZZLE Ø 1.7 HD SPECIAL CP	
	L168XH	352287	TRUMPF® NOZZLE Ø 2.0 HD SPECIAL CP	
	L76XH	352285	TRUMPF® NOZZLE Ø 2.3 HD SPECIAL CP	
	L185XH		TRUMPF® NOZZLE Ø 2.5 HD SPECIAL CP	
	L360XH	352286	TRUMPF® NOZZLE Ø 2.7 HD SPECIAL CP	
	L396XH		TRUMPF® NOZZLE Ø 3.0 HD SPECIAL CP	

X = Kromaterat

XH = Extra tjock kromatering (för en längre livslängd)

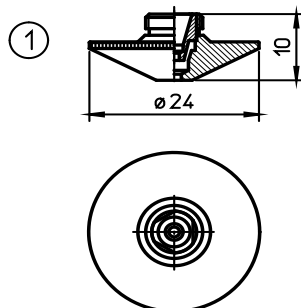
TRUMPF®



POS	ART. NR.	ORIGINAL KOD	BESKRIVNING	PRIS / ST
1	L2	215780	TRUMPF® NOZZLE Ø 0.8	
	L11	087658	TRUMPF® NOZZLE Ø 1.0	
	L2X	215780	TRUMPF® NOZZLE Ø 0.8 CP	
	L11X	087658	TRUMPF® NOZZLE Ø 1.0 CP	
2	L1	088894	TRUMPF® NOZZLE Ø 1.4 HD	
	L12	217867	TRUMPF® NOZZLE Ø 1.7 HD	
3	L798		TRUMPF® NOZZLE Ø 1.0	
	L13	088893	TRUMPF® NOZZLE Ø 1.5	
	L68	221781	TRUMPF® NOZZLE Ø 2.0	
	L230	235592	TRUMPF® NOZZLE Ø 3.0	
4	L495	237872	TRUMPF® SHOWER NOZZLE Ø 0.8	
5	L496	217976	TRUMPF® SHOWER NOZZLE Ø 0.8	

X = Kromaterat

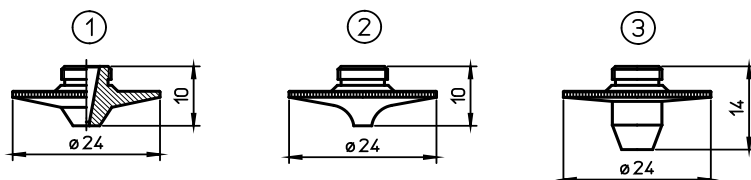
TRUMPF®



POS	ART. NR.	ORIGINAL KOD	BESKRIVNING	PRIS / ST
1	L640	CENTRICUT DESIGN	TRUMPF® NOZZLE Ø 0.8 DOUBLE	
	L641	CENTRICUT DESIGN	TRUMPF® NOZZLE Ø 1.0 DOUBLE	
	L648	CENTRICUT DESIGN	TRUMPF® NOZZLE Ø 1.2 DOUBLE	
	L642	CENTRICUT DESIGN	TRUMPF® NOZZLE Ø 1.4 DOUBLE	
	L643	CENTRICUT DESIGN	TRUMPF® NOZZLE Ø 1.7 DOUBLE	
	L644	CENTRICUT DESIGN	TRUMPF® NOZZLE Ø 2.0 DOUBLE	
	L645	CENTRICUT DESIGN	TRUMPF® NOZZLE Ø 2.3 DOUBLE	
	L646	CENTRICUT DESIGN	TRUMPF® NOZZLE Ø 2.7 DOUBLE	
	L647	CENTRICUT DESIGN	TRUMPF® NOZZLE Ø 3.0 DOUBLE	
	L640X	CENTRICUT DESIGN	TRUMPF® NOZZLE Ø 0.8 CP DOUBLE	
	L641X	CENTRICUT DESIGN	TRUMPF® NOZZLE Ø 1.0 CP DOUBLE	
	L648X	CENTRICUT DESIGN	TRUMPF® NOZZLE Ø 1.2 CP DOUBLE	
	L642X	CENTRICUT DESIGN	TRUMPF® NOZZLE Ø 1.4 CP DOUBLE	
	L643X	CENTRICUT DESIGN	TRUMPF® NOZZLE Ø 1.7 CP DOUBLE	
	L644X	CENTRICUT DESIGN	TRUMPF® NOZZLE Ø 2.0 CP DOUBLE	
	L645X	CENTRICUT DESIGN	TRUMPF® NOZZLE Ø 2.3 CP DOUBLE	
	L646X	CENTRICUT DESIGN	TRUMPF® NOZZLE Ø 2.7 CP DOUBLE	
	L647X	CENTRICUT DESIGN	TRUMPF® NOZZLE Ø 3.0 CP DOUBLE	
	L649X	CENTRICUT DESIGN	TRUMPF® NOZZLE Ø 4.0 CP DOUBLE	

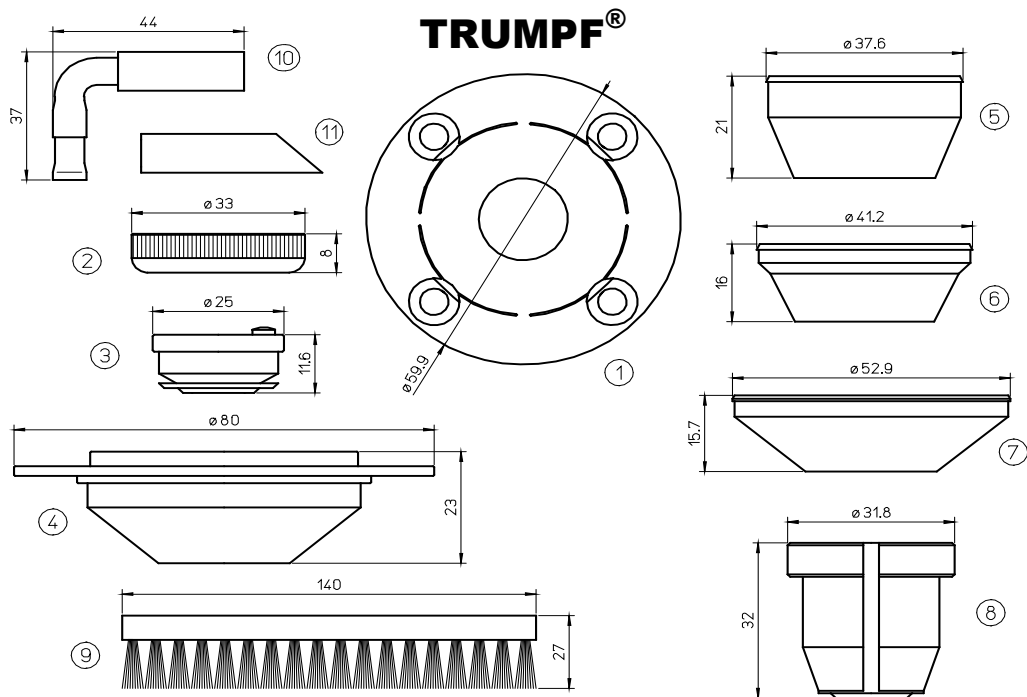
X = Kromaterat

TRUMPF®

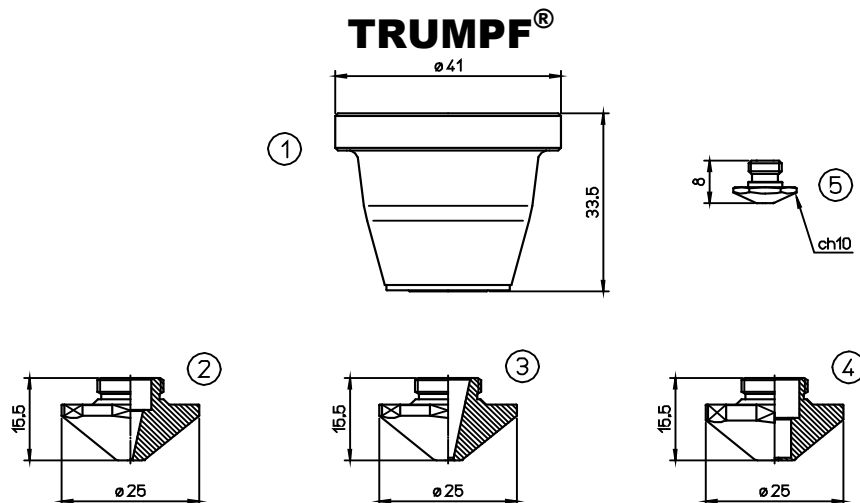


POS	ART. NR.	ORIGINAL KOD	BESKRIVNING	PRIS / ST
1	L226	CENTRICUT DESIGN	TRUMPF® NOZZLE Ø 0.8 HD	
	L181	CENTRICUT DESIGN	TRUMPF® NOZZLE Ø 1.0 HD	
	L182	CENTRICUT DESIGN	TRUMPF® NOZZLE Ø 1.4 HD	
	L227	CENTRICUT DESIGN	TRUMPF® NOZZLE Ø 1.7 HD	
	L313	CENTRICUT DESIGN	TRUMPF® NOZZLE Ø 2.3 HD	
2	L720	CENTRICUT DESIGN	TRUMPF® SPECIAL NOZZLE Ø 2.3 HD	
	L721	CENTRICUT DESIGN	TRUMPF® SPECIAL NOZZLE Ø 2.5 HD	
	L722	CENTRICUT DESIGN	TRUMPF® SPECIAL NOZZLE Ø 2.7 HD	
	L1034X	CENTRICUT DESIGN	TRUMPF® SPECIAL NOZZLE Ø 1.4 HD CP	
	L1035X	CENTRICUT DESIGN	TRUMPF® SPECIAL NOZZLE Ø 1.7 HD CP	
	L720X	CENTRICUT DESIGN	TRUMPF® SPECIAL NOZZLE Ø 2.3HD CP	
	L721X	CENTRICUT DESIGN	TRUMPF® SPECIAL NOZZLE Ø 2.5HD CP	
L722X	CENTRICUT DESIGN	TRUMPF® SPECIAL NOZZLE Ø 2.7HD CP		
3	L200	CENTRICUT DESIGN	TRUMPF® EXTENDED NOZZLE Ø 0.8	
	L199	CENTRICUT DESIGN	TRUMPF® EXTENDED NOZZLE Ø 1.0	
	L657	CENTRICUT DESIGN	TRUMPF® EXTENDED NOZZLE Ø 1.2	
	L658	CENTRICUT DESIGN	TRUMPF® EXTENDED NOZZLE Ø 1.4	
	L670	CENTRICUT DESIGN	TRUMPF® EXTENDED NOZZLE Ø 1.6	
	L659	CENTRICUT DESIGN	TRUMPF® EXTENDED NOZZLE Ø 1.7	

X = Kromaterat



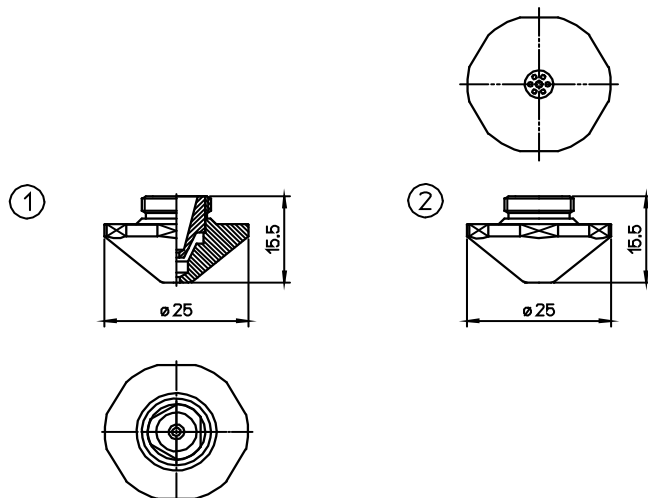
POS	ART. NR.	ORIGINAL KOD	BESKRIVNING	PRIS / ST
1	AL70	234485	TRUMPF® BREAK-AWAY	
2	AL250	216066	TRUMPF® SIGNBOARD	
3	AL38	258809-243839-247894	TRUMPF® CERAMIC NOZZLE HOLDER	
	AL438	258809-243839-247894	TRUMPF® CERAMIC NOZZLE HOLDER OEM	
	AL400	258809	TRUMPF® ORIG. NOZZLE HOLDER	
4	AL19	216065	TRUMPF® TEFLON COVER	
5	AL47	256153-955826	TRUMPF® TEFLON COVER WHITE	
	AL347	256153-955826	TRUMPF® TEFLON COVER BLACK	
6	AL36	254496	TRUMPF® TEFLON COVER	
7	AL41	225286	TRUMPF® TEFLON COVER	
8	AL108	254493-260432	TRUMPF® CERAMIC NOZZLE HOLDER	
9	AL272	0353202 - 900594	TRUMPF® BRUSH - TASTER	
10	088557	088557	TRUMPF® NOZZLE 90°	
11	256184	256184	TRUMPF® BLOW TUBE	
	ALI115	(not shown)	INDIUM WIRE - 1.0 mm FOR Ø 1,5" LENS	



POS	ART. NR.	ORIGINAL KOD	BESKRIVNING	PRIS / ST
1	AL405	1349171	TRUMPF® NOZZLE HOLDER CERAMIC	
	AL410	1755673	TRUMPF® NOZZLE HOLDER CERAMIC AUTOCHANGER	
2	L1270	1324858	TRUMPF® NOZZLE Ø 0.8	
	L1272	1324860	TRUMPF® NOZZLE Ø 1.0	
	L1273	1324861	TRUMPF® NOZZLE Ø 1.2	
	L1275	1324863	TRUMPF® NOZZLE Ø 1.4	
	L1276	1324864	TRUMPF® NOZZLE Ø 1.7	
	L1270XH	1324858	TRUMPF® NOZZLE Ø 0.8 SPECIAL CP	
	L1272XH	1324860	TRUMPF® NOZZLE Ø 1.0 SPECIAL CP	
	L1273XH	1324861	TRUMPF® NOZZLE Ø 1.2 SPECIAL CP	
	L1275XH	1324863	TRUMPF® NOZZLE Ø 1.4 SPECIAL CP	
	L1276XH	1324864	TRUMPF® NOZZLE Ø 1.7 SPECIAL CP	
3	L1277	1324865	TRUMPF® NOZZLE Ø 2.0	
	L1278	1324866	TRUMPF® NOZZLE Ø 2.3	
	L1279	1324867	TRUMPF® NOZZLE Ø 2.7	
	L1277XH	1324865	TRUMPF® NOZZLE Ø 2.0 SPECIAL CP	
	L1278XH	1324866	TRUMPF® NOZZLE Ø 2.3 SPECIAL CP	
	L1279XH	1324867	TRUMPF® NOZZLE Ø 2.7 SPECIAL CP	
4	L1260	1637264	TRUMPF® NOZZLE ZAA-01	
5	L1700	1589610	TRUMPF® BLOW OFF NOZZLE EBM Ø 2.0	

XH = Extra tjock kromatering (för en längre livslängd)

TRUMPF®



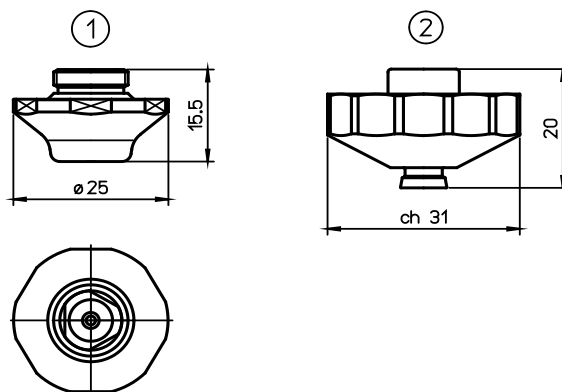
POS	ART. NR.	ORIGINAL KOD	BESKRIVNING	PRIS / ST	
1	L1308		TRUMPF® NOZZLE Ø 0.8 DOUBLE		
	L1309		TRUMPF® NOZZLE Ø 1.0 DOUBLE		
	L1310		TRUMPF® NOZZLE Ø 1.2 DOUBLE		
	L1311		TRUMPF® NOZZLE Ø 1.4 DOUBLE		
	L1312		TRUMPF® NOZZLE Ø 1.7 DOUBLE		
	L1313		TRUMPF® NOZZLE Ø 2.0 DOUBLE		
	L1314		TRUMPF® NOZZLE Ø 2.3 DOUBLE		
	L1315		TRUMPF® NOZZLE Ø 2.7 DOUBLE		
	L1310XH		TRUMPF® NOZZLE Ø 1.2 DOUBLE SPECIAL CP		
	L1311XH		TRUMPF® NOZZLE Ø 1.4 DOUBLE SPECIAL CP		
	L1312XH		TRUMPF® NOZZLE Ø 1.7 DOUBLE SPECIAL CP		
	L1313XH		TRUMPF® NOZZLE Ø 2.0 DOUBLE SPECIAL CP		
	L1314XH		TRUMPF® NOZZLE Ø 2.3 DOUBLE SEPCIAL CP		
	L1315XH		TRUMPF® NOZZLE Ø 2.7 DOUBLE SPECIAL CP		
	L1281		TRUMPF® SHOWER NOZZLE Ø 1.2		

XH = Extra tjock kromatering (för en längre livslängd)

TRUMPF®

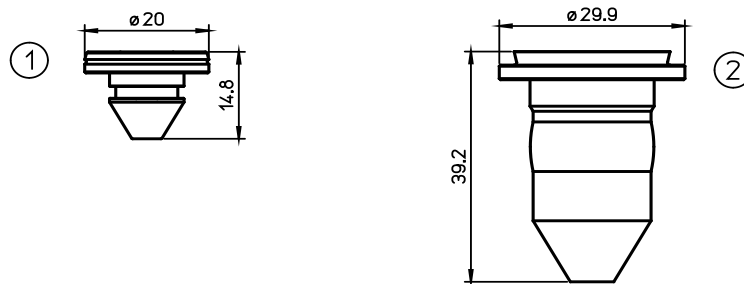


POS	ART. NR.	ORIGINAL KOD	BESKRIVNING	PRIS / ST
1	L1501	1373325	TRUMPF® NOZZLE Ø 1,0	
	L1502	1373326	TRUMPF® NOZZLE Ø 1,2	
	L1503	1373327	TRUMPF® NOZZLE Ø 1,4	
	L1504	1373328	TRUMPF® NOZZLE Ø 1,7	
2	L1500	1373324	TRUMPF® NOZZLE Ø 0,8	
	L1505	1373329	TRUMPF® NOZZLE Ø 2,0	
	L1506	1373330	TRUMPF® NOZZLE Ø 2,3	
	L1507	1373331	TRUMPF® NOZZLE Ø 2,7	



POS	ART. NR.	ORIGINAL KOD	BESKRIVNING	PRIS / ST
1	L1885	1809091	TRUMPF® DOUBLE NOZZLE Ø 6.0 EAQ	
	L1886	1809421	TRUMPF® DOUBLE NOZZLE Ø 7.5 EAQ	
	L1887	1886199	TRUMPF® DOUBLE NOZZLE Ø 9.5 EAQ	
2	L1800	1774018	TRUMPF® NOZZLE EFL D1,4	
	L1801	1838745	TRUMPF® NOZZLE EFL D1,7	
	L1802	1774020	TRUMPF® NOZZLE EFL D2,0	
	L1803	1774092	TRUMPF® NOZZLE EFL D2,3	

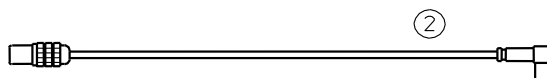
TRUMPF®



POS	ART. NR.	ORIGINAL KOD	BESKRIVNING	PRIS / ST
1	L5	202952	TRUMPF® NOZZLE Ø 0.8	
	L34	218969	TRUMPF® NOZZLE Ø 1.0	
	L35	209402	TRUMPF® NOZZLE Ø 1.4 HD	
	L36	217953	TRUMPF® NOZZLE Ø 1.7 HD	
2	L217	060653	TRUMPF® NOZZLE Ø 0.8	
	L218	060653	TRUMPF® NOZZLE Ø 1.0	
	L219	060653	TRUMPF® NOZZLE Ø 1.4	

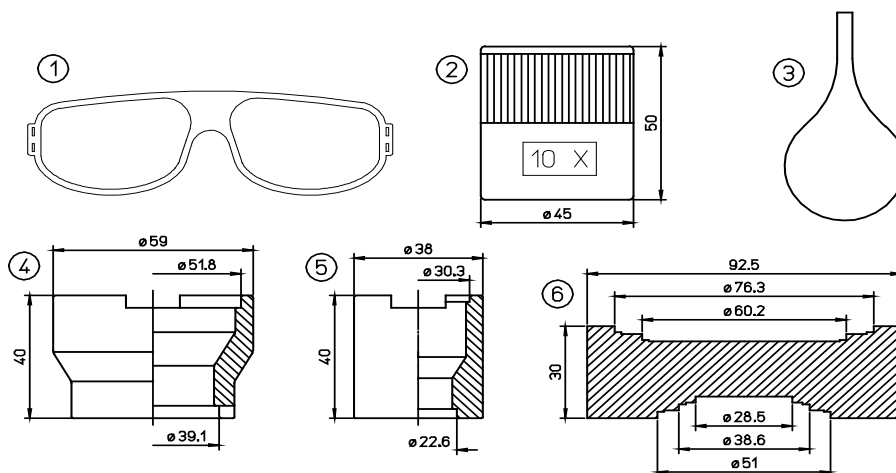
TRUMPF®

POS	ART. NR.	ORIGINAL KOD	BESKRIVNING	PRIS / ST
	FT1	092380	TRUMPF® FILTER 092380 DX	
	FT2	092381	TRUMPF® FILTER 092381 BX	
	FT3	092379	TRUMPF® FILTER 092379 CI	
	FT4	123676 - U0310 VF	TRUMPF® FILTER 123676	
	FT5	123675 - U0310 SMA	TRUMPF® FILTER 123675	
	FT6	123674 - U0310 CA	TRUMPF® FILTER 123674	
	FT52	345064	FILTER-PANEL 345064 ANTISTATISK	
	CP10	146152	TRUMPF® WATER FILTER 30x68x250	



POS	ART. NR.	ORIGINAL KOD	BESKRIVNING	PRIS / ST
2	351086	0351086-S0492-001-00000	TRUMPF® - ORIG. ELECTRODE CABLE PRECITEC® KE 130 gw/TT	

TRUMPF®



POS	ART. NR.	ORIGINAL KOD	BESKRIVNING	PRIS / ST
1	AL1100		LASER CO2 GLASSES CE APPROVED DIL3	
2	AL255	091860	SCALE LUPE	
3	AL282		ACC. INJECTOR	
4	AL271	TR300-271	BASE FOR LENS MAINTENANCE	
5	AL276		ACC. BASE FOR MIRROR MAINTENENCE	
6	AL370		ACC.BASE FOR LENS AND MIRROR CLEANING	
	SC100	AM313-SC100	LENS CLEANING PAPER - 50 sheets	
	AL1001	123602	LENS CLEANING LIQUID - 200 ml	
	AL1002		MIRROR CLEANING LIQUID - 200 ml	
	AL1003-100	240568-100	ACC. LENS CLEANING POLISH - ml 100	
	AL1004		POLISH DETERGENT - 200 ml	
	EZ020003-101		LENS CLEANING WIPES EZ CLEAN - 24 pieces	
	TOPOL2	367432	LENS POLISH - 125 ml	
	TR300-7388	787388	MIRROR POLISH - 250 ml	
	AL1010	TR300-1010	DROPPER FOR LENS CLEANING LIQUID	
	SC20	TR300-SC20	COTTON SWAB (tops) - 20 pieces	
	AL1115	TR300-1115	LENS CLEANING PRE-CUT COTTON - 100 pieces	
	AL1120	HG 15.136	LATEX GLOVES - 10 pieces	
	LUFTSPRAY		BLÅS RENT	
	910000		RENGÖRINGSVÄSKA TILL LINSER	
	ALI115/M	MZ335-115	INDIUM WIRE 0.8 mm x 125 mm FOR 1.5" LENS	
	ALI120/M	MZ335-120	INDIUM WIRE 0.8 mm x 160 mm FOR 2,0" LENS	
	351260-009	EZ-POLARIZER	VERKTYG FÖR KONTROLL AV LINSER 1,5"	
	351280-009	EZ-POLARIZER	VERKTYG FÖR KONTROLL AV LINSER 2"	