

ADIGE[®], PRECITEC[®]



Duralens - Högkvalitativ Lins

- Absorberar $\leq 0,20\%$
- Konstruerad för hög hållbarhet och noggrannhet
- Tillverkad med högsta precision
- Godkänd och använd av ledande maskintillverkare



Black Magic – Lågabsorberande Lins

- Absorberar $\leq 0,15\%$
- Hårdaste ytan på marknaden för ökad livslängd
 - Bäst på att stöta bort stänk
 - Enklare att rengöra och underhålla
 - Motståndskraftig mot fukt
- Rekommenderad och godkänd av ledande maskintillverkare
- Den är EJ radioaktiv
- Utmärker sig vid skärning i bl.a. aluminium och rostfritt stål



Clear Magic – Ultra Lågabsorberande Lins

- Absorberar $\leq 0,13\%$ under hela livslängden
 - Maximal stabilitet i fokusläget
- Transparent ytskikt släpper igenom HeNe-strålar så de blir synliga på arbetsstycket
- Polariserande filter hjälper till att upptäcka termiskt inducerad stress
- Rekommenderad och godkänd av ledande maskintillverkare
- Hårdaste ytan på marknaden för ökad livslängd
 - Bäst på att stöta bort stänk
 - Enklare att rengöra och underhålla
 - Motståndskraftig mot fukt
- Den är EJ radioaktiv
- Utmärker sig vid skärning i bl.a. aluminium och rostfritt stål

LINSER



POS	ART. NR.	TYP	BESKRIVNING	PRIS / ST
GUL LINS				
1	60696	MENISCUS	DIA = 1,5" FOKUS = 5" TJOCKLEK = 7,3 mm	
	60697	MENISCUS	DIA = 1,5" FOKUS = 7,5" TJOCKLEK = 7,3 mm	
	61982	MENISCUS	DIA = 1,5" FOKUS = 5" TJOCKLEK = 7,4 mm	
	61983	MENISCUS	DIA = 1,5" FOKUS = 7,5" TJOCKLEK = 7,4 mm	
	60617	MENISCUS	DIA = 1,5" FOKUS = 3,75" TJOCKLEK = 7,0 mm	
	60618	MENISCUS	DIA = 1,5" FOKUS = 5" TJOCKLEK = 7,0 mm	
	60603	MENISCUS	DIA = 1,5" FOKUS = 3,75" TJOCKLEK = 6,0 mm	
	60698	MENISCUS	DIA = 2" FOKUS = 7,5" TJOCKLEK = 9,6 mm	
	60991	MENISCUS	DIA = 2" FOKUS = 5" TJOCKLEK = 9,6 mm	
LÅGABSORBERANDE SVART LINS				
2	60696LA	MENISCUS	DIA = 1,5" FOKUS = 5" TJOCKLEK = 7,3 mm	
	60697LA	MENISCUS	DIA = 1,5" FOKUS = 7,5" TJOCKLEK = 7,3 mm	
	61982LA	MENISCUS	DIA = 1,5" FOKUS = 5" TJOCKLEK = 7,4 mm	
	61983LA	MENISCUS	DIA = 1,5" FOKUS = 7,5" TJOCKLEK = 7,4 mm	
	60617LA	MENISCUS	DIA = 1,5" FOKUS = 3,75" TJOCKLEK = 7,0 mm	
	60618LA	MENISCUS	DIA = 1,5" FOKUS = 5" TJOCKLEK = 7,0 mm	
	60603LA	MENISCUS	DIA = 1,5" FOKUS = 3,75" TJOCKLEK = 6,0 mm	
	60698LA	MENISCUS	DIA = 2" FOKUS = 7,5" TJOCKLEK = 9,6 mm	
	60991LA	MENISCUS	DIA = 2" FOKUS = 5" TJOCKLEK = 9,6 mm	
ULTRA LÅGABSORBERANDE LINS				
3	60696ULA	MENISCUS	DIA = 1,5" FOKUS = 5" TJOCKLEK = 7,3 mm	
	60697ULA	MENISCUS	DIA = 1,5" FOKUS = 7,5" TJOCKLEK = 7,3 mm	
	61982ULA	MENISCUS	DIA = 1,5" FOKUS = 5" TJOCKLEK = 7,4 mm	
	61983ULA	MENISCUS	DIA = 1,5" FOKUS = 7,5" TJOCKLEK = 7,4 mm	
	60698ULA	MENISCUS	DIA = 2" FOKUS = 7,5" TJOCKLEK = 9,6 mm	

RING FÖR MER INFO OCH PRISER OM VÅRA LINSER OCH SPEGLAR.

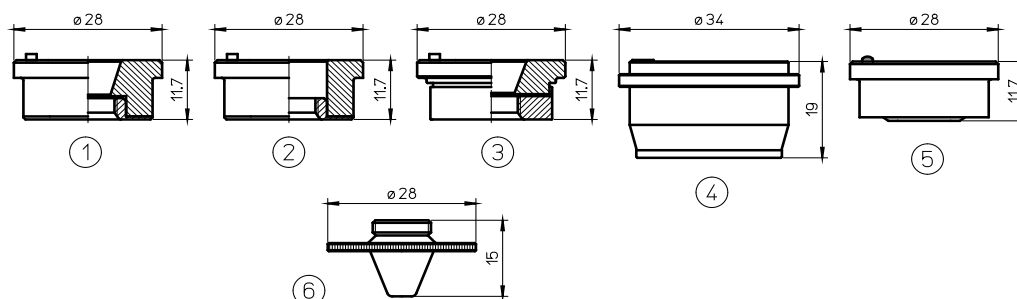
FIBERLASER



POS	ART. NR.	ORIGINAL KOD	BESKRIVNING	PRIS / ST
LINS				
	632284-117		DIA = 38,1mm FOKUS = 190,5mm TJOCKLEK = 7mm	
	631699-117		DIA = 38,1mm FOKUS = 127mm TJOCKLEK = 7mm	
	631931-117	P0591-1262-00001	DIA = 30mm FOKUS = -343mm TJOCKLEK = 5,8mm	
	631932-117	P0591-1262-00001 OL HP SSL F125	DIA = 30mm FOKUS = 90,5mm TJOCKLEK = 3,1mm	
	631933-117	P0591-1186-00001 ZO HP SSL COL F100 D 30 GB 14965	DIA = 30mm FOKUS = -679mm TJOCKLEK = 5,5mm	
	631934-117	P0591-1186-00001 ZO HP SSL COL F100 D 30 GB 14965	DIA = 30mm FOKUS = 85,7mm TJOCKLEK = 2,9mm	
	632331-117		DIA = 30mm FOKUS = 200mm TJOCKLEK = 3,7mm	
SKYDDSGLAS				
	632498-117		DIA = 50mm TJOCKLEK = 2mm	
	632252-117	AM P0589-360-00001	DIA = 22,35mm TJOCKLEK = 4mm	
	633267-117		DIA = 21,5mm TJOCKLEK = 2mm	

RING FÖR MER INFO OCH PRISER OM VÅRA LINSER OCH SKYDDSGLAS.

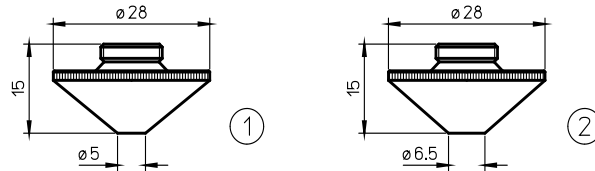
ADIGE[®], PRECITEC[®]



POS	ART. NR.	ORIGINAL KOD	BESKRIVNING	PRIS / ST
1	AL355	P0571-1051-00001	PRECITEC [®] ORIG. NOZZLE HOLDER KT B2" CON	
	AL495	P0571-1051-00001	PRECITEC [®] NOZZLE HOLDER KT B2" CON	
	AL380	P0571-1051-00001	PRECITEC [®] NOZZLE HOLDER KT B2" CON	
2	AL23	281330-P0571-260-00001	PRECITEC [®] ORIG. NOZZLE HOLDER KT B2"	
	AL131	281330-P0571-260-00001	PRECITEC [®] NOZZLE HOLDER KT B2" FLAT PLATE	
	AL421	281330 - P0571-260-00001	PRECITEC [®] NOZZLE HOLDER KT B2"	
3	AL331	281330-P0571-260-00001	PRECITEC [®] NOZZLE HOLDER KT B2" FLAT PLATE	
4	AL228		PRECITEC [®] NOZZLE HOLDER	
5	AL141	281518-P0571-265-00001	PRECITEC [®] NOZZLE HOLDER IT B2" Z	
6	L247	281590-P0591-569-00008	PRECITEC [®] NOZZLE Ø 0.8	
	L162	281331-P0591-561-00010	PRECITEC [®] NOZZLE Ø 1.0	
	L130	281351-P0591-562-00012	PRECITEC [®] NOZZLE Ø 1.25	
	L131	281352-P0591-563-00015	PRECITEC [®] NOZZLE Ø 1.5	
	L248		PRECITEC [®] NOZZLE Ø 1.7	
	L153	281353-P0591-564-00018	PRECITEC [®] NOZZLE Ø 1.8	
	L132	281354-P591-565-00020	PRECITEC [®] NOZZLE Ø 2.0	
	L154		PRECITEC [®] NOZZLE Ø 2.3	
	L155	281591-P0591-566-00025	PRECITEC [®] NOZZLE Ø 2.5	
	L156		PRECITEC [®] NOZZLE Ø 3.0	
	L247X	281590-P0591-569-00008	PRECITEC [®] NOZZLE Ø 0.8 CP	
	L162X	281331-P0591-561-00010	PRECITEC [®] NOZZLE Ø 1.0 CP	
	L130X	281351-P0591-562-00012	PRECITEC [®] NOZZLE Ø 1.25 CP	
	L131X	281352-P0591-563-00015	PRECITEC [®] NOZZLE Ø 1.5 CP	
	L248X		PRECITEC [®] NOZZLE Ø 1.7 CP	
	L153X	281353-P0591-564-00018	PRECITEC [®] NOZZLE Ø 1.8 CP	
	L132X	281354-P591-565-00020	PRECITEC [®] NOZZLE Ø 2.0 CP	
L154X		PRECITEC [®] NOZZLE Ø 2.3 CP		
L155X	281591-P0591-566-00025	PRECITEC [®] NOZZLE Ø 2.5 CP		
L156X		PRECITEC [®] NOZZLE Ø 3.0 CP		

X = Kromaterat

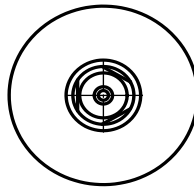
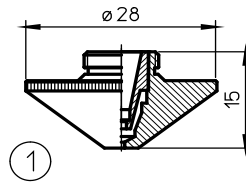
ADIGE[®], PRECITEC[®]



POS	ART. NR.	ORIGINAL KOD	BESKRIVNING	PRIS / ST
1	L935		PRECITEC [®] NOZZLE Ø 0,8 HD	
	L234	281548-P0591-571-00010	PRECITEC [®] NOZZLE Ø 1.0 HD	
	L235	281549-P0591-572-00012	PRECITEC [®] NOZZLE Ø 1.25 HD	
	L236	281463-P0591-573-00015	PRECITEC [®] NOZZLE Ø 1.5 HD	
	L237	P0591-574-00018	PRECITEC [®] NOZZLE Ø 1.8 HD	
	L238	281550-P0591-575-00020	PRECITEC [®] NOZZLE Ø 2.0 HD	
	L239		PRECITEC [®] NOZZLE Ø 2.3 HD	
	L240	281551-P0591-576-00025	PRECITEC [®] NOZZLE Ø 2.5 HD	
	L936		PRECITEC [®] NOZZLE Ø 2.75 HD	
	L241		PRECITEC [®] NOZZLE Ø 3.0 HD	
	L826		PRECITEC [®] NOZZLE Ø 3.2 HD	
	L827		PRECITEC [®] NOZZLE Ø 3.5 HD	
	L828		PRECITEC [®] NOZZLE Ø 4.0 HD	
	L829		PRECITEC [®] NOZZLE Ø 4.5 HD	
	L234X	281548-P0591-571-00010	PRECITEC [®] NOZZLE Ø 1.0 HD CP	
	L235X	281549-P0591-572-00012	PRECITEC [®] NOZZLE Ø 1.25 HD CP	
	L236X	281463-P0591-573-00015	PRECITEC [®] NOZZLE Ø 1.5 HD CP	
	L237X		PRECITEC [®] NOZZLE Ø 1.8 HD CP	
	L238X	281550-P0591-575-00020	PRECITEC [®] NOZZLE Ø 2.0 HD CP	
	L239X		PRECITEC [®] NOZZLE Ø 2.3 HD CP	
	L240X	281551-P0591-576-00025	PRECITEC [®] NOZZLE Ø 2.5 HD CP	
	L936X		PRECITEC [®] NOZZLE Ø 2.75 HD CP	
	L241X		PRECITEC [®] NOZZLE Ø 3.0 HD CP	
	L826X		PRECITEC [®] NOZZLE Ø 3.2 HD CP	
L827X		PRECITEC [®] NOZZLE Ø 3.5 HD CP		
L828X		PRECITEC [®] NOZZLE Ø 4.0 HD CP		
L829X		PRECITEC [®] NOZZLE Ø 4.5 HD CP		
2	L1936		PRECITEC [®] NOZZLE Ø 4.0 HD LARGE HEAD	
	L1937		PRECITEC [®] NOZZLE Ø 4.5 HD LARGE HEAD	
	L830		PRECITEC [®] NOZZLE Ø 5.0 HD	
	L1936X		PRECITEC [®] NOZZLE Ø 4.0 HD LARGE HEAD	
	L1937X		PRECITEC [®] NOZZLE Ø 4.5 HD LARGE HEAD	
	L830X		PRECITEC [®] NOZZLE Ø 5.0 HD	

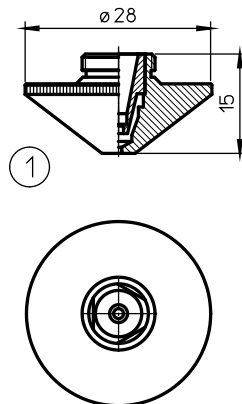
X = Kromaterat

ADIGE[®], PRECITEC[®]



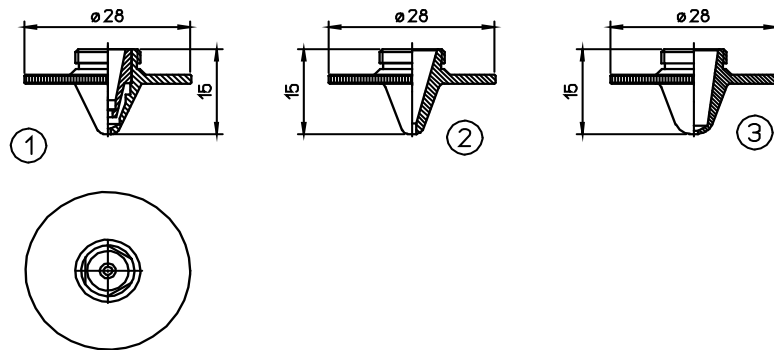
POS	ART. NR.	ORIGINAL KOD	BESKRIVNING	PRIS / ST
1	L669	CENTRICUT DESIGN	PRECITEC [®] DOUBLE NOZZLE Ø 0.8 - 1.5	
	L691		PRECITEC [®] DOUBLE NOZZLE Ø 0.9 - 1.5	
	L660	CENTRICUT DESIGN	PRECITEC [®] DOUBLE NOZZLE Ø 1.0 - 1.5	
	L692		PRECITEC [®] DOUBLE NOZZLE Ø 1.1 - 1.5	
	L661-12		PRECITEC [®] DOUBLE NOZZLE Ø 1.2 - 1.2	
	L661	P0591-002-00012	PRECITEC [®] DOUBLE NOZZLE Ø 1.2 - 1.5	
	L672		PRECITEC [®] DOUBLE NOZZLE Ø 1.4 - 1.5	
	L662	P0591-002-00015	PRECITEC [®] DOUBLE NOZZLE Ø 1.5 - 1.5	
	L663	P0591-002-00018	PRECITEC [®] DOUBLE NOZZLE Ø 1.8 - 1.5	
	L664	P0591-002-00020	PRECITEC [®] DOUBLE NOZZLE Ø 2.0 - 1.5	
	L664-18		PRECITEC [®] DOUBLE NOZZLE Ø 2.0 - 1.8	
	L664-20		PRECITEC [®] DOUBLE NOZZLE Ø 2.0 - 2.0	
	L665	CENTRICUT DESIGN	PRECITEC [®] DOUBLE NOZZLE Ø 2.3 - 1.5	
	L666	CENTRICUT DESIGN	PRECITEC [®] DOUBLE NOZZLE Ø 2.5 - 1.5	
	L666-20		PRECITEC [®] DOUBLE NOZZLE Ø 2.5 - 2.0	
	L667	CENTRICUT DESIGN	PRECITEC [®] DOUBLE NOZZLE Ø 3.0 - 1.5	
	L667-20		PRECITEC [®] DOUBLE NOZZLE Ø 3.0 - 2.0	
	L668	CENTRICUT DESIGN	PRECITEC [®] DOUBLE NOZZLE Ø 3.5 - 1.5	
	L840		PRECITEC [®] DOUBLE NOZZLE Ø 4.0 - 1.5	
	L841		PRECITEC [®] DOUBLE NOZZLE Ø 4.5 - 1.5	
	L861		PRECITEC [®] DOUBLE NOZZLE Ø 5.0 - 1.5	
	L1925		PENTA [®] DOUBLE NOZZLE Ø 1.0	
	L1926		PENTA [®] DOUBLE NOZZLE Ø 1.2	
	L1927		PENTA [®] DOUBLE NOZZLE Ø 1.5	
	L1928		PENTA [®] DOUBLE NOZZLE Ø 2.0	
	L1929		PENTA [®] DOUBLE NOZZLE Ø 2.5	
	L1930		PENTA [®] DOUBLE NOZZLE Ø 3.0	
	L1931		PENTA [®] DOUBLE NOZZLE Ø 3.5	
	L1932		PENTA [®] DOUBLE NOZZLE Ø 4.0	
	L1933		PENTA [®] DOUBLE NOZZLE Ø 4.5	

ADIGE[®], PRECITEC[®]



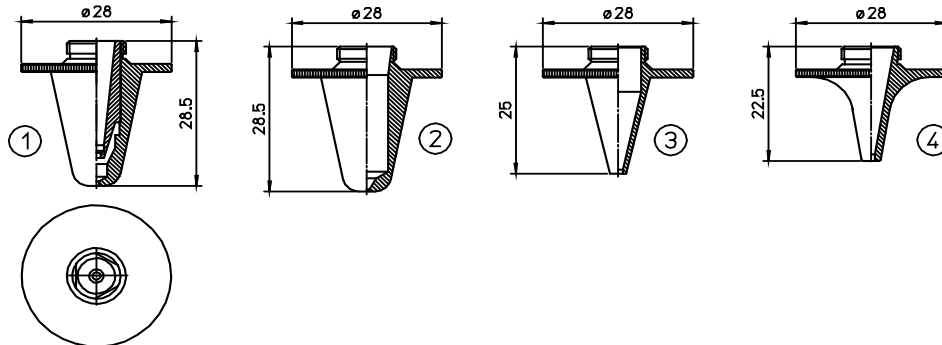
POS	ART. NR.	ORIGINAL KOD	BESKRIVNING	PRIS / ST
1	L669X	CENTRICUT DESIGN	PRECITEC [®] DOUBLE NOZZLE Ø 0.8 - 1.5	
	L691X		PRECITEC [®] DOUBLE NOZZLE Ø 0.9 - 1.5	
	L660X	CENTRICUT DESIGN	PRECITEC [®] DOUBLE NOZZLE Ø 1.0 - 1.5	
	L692X		PRECITEC [®] DOUBLE NOZZLE Ø 1.1 - 1.5	
			PRECITEC [®] DOUBLE NOZZLE Ø 1.2 - 1.2	
	L661X	P0591-002-00012	PRECITEC [®] DOUBLE NOZZLE Ø 1.2 - 1.5	
	L672X		PRECITEC [®] DOUBLE NOZZLE Ø 1.4 - 1.5	
	L662X	P0591-002-00015	PRECITEC [®] DOUBLE NOZZLE Ø 1.5 - 1.5	
	L663X	P0591-002-00018	PRECITEC [®] DOUBLE NOZZLE Ø 1.8 - 1.5	
	L664X	P0591-002-00020	PRECITEC [®] DOUBLE NOZZLE Ø 2.0 - 1.5	
			PRECITEC [®] DOUBLE NOZZLE Ø 2.0 - 1.8	
			PRECITEC [®] DOUBLE NOZZLE Ø 2.0 - 2.0	
	L665X	CENTRICUT DESIGN	PRECITEC [®] DOUBLE NOZZLE Ø 2.3 - 1.5	
	L666X	CENTRICUT DESIGN	PRECITEC [®] DOUBLE NOZZLE Ø 2.5 - 1.5	
			PRECITEC [®] DOUBLE NOZZLE Ø 2.5 - 2.0	
	L667X	CENTRICUT DESIGN	PRECITEC [®] DOUBLE NOZZLE Ø 3.0 - 1.5	
			PRECITEC [®] DOUBLE NOZZLE Ø 3.0 - 2.0	
	L668X	CENTRICUT DESIGN	PRECITEC [®] DOUBLE NOZZLE Ø 3.5 - 1.5	
	L840X		PRECITEC [®] DOUBLE NOZZLE Ø 4.0 - 1.5	
	L841X		PRECITEC [®] DOUBLE NOZZLE Ø 4.5 - 1.5	
L861X		PRECITEC [®] DOUBLE NOZZLE Ø 5.0 - 1.5		

ADIGE[®], PRECITEC[®]



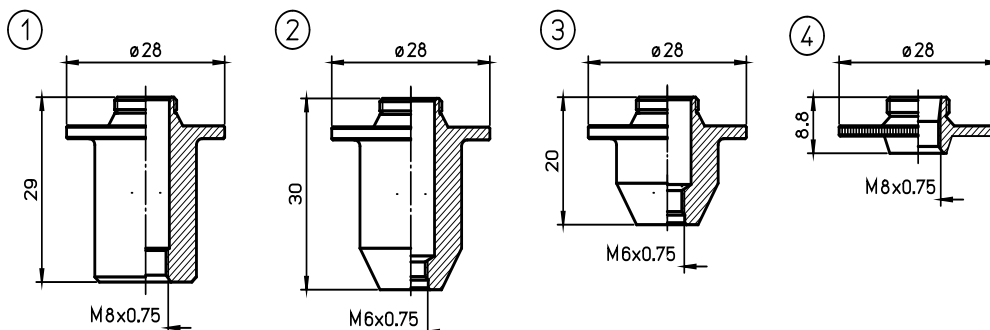
1	L1348	6930250001	PRECITEC [®] 3D DOUBLE NOZZLE Ø 0.8	
	L1349	6930250002	PRECITEC [®] 3D DOUBLE NOZZLE Ø 1.0	
	L1350	6930250003	PRECITEC [®] 3D DOUBLE NOZZLE Ø 1.2	
	L1351	6930250004	PRECITEC [®] 3D DOUBLE NOZZLE Ø1.5	
	L1470		PRECITEC [®] 3D DOUBLE NOZZLE Ø 1.8	
	L1348X	6930250001	PRECITEC [®] 3D DOUBLE NOZZLE Ø 0.8 CP	
	L1349X	6930250002	PRECITEC [®] 3D DOUBLE NOZZLE Ø 1.0 CP	
	L1350X	6930250003	PRECITEC [®] 3D DOUBLE NOZZLE Ø 1.2 CP	
	L1351X	6930250004	PRECITEC [®] 3D DOUBLE NOZZLE Ø1.5 CP	
	L1470X		PRECITEC [®] 3D DOUBLE NOZZLE Ø1.8 CP	
2	L738	CENTRICUT DESIGN	PRECITEC [®] NOZZLE Ø 1.0 HD	
	L739	CENTRICUT DESIGN	PRECITEC [®] NOZZLE Ø 1.25 HD	
	L740	CENTRICUT DESIGN	PRECITEC [®] NOZZLE Ø 1.5 HD	
3	L792	CENTRICUT DESIGN	PRECITEC [®] NOZZLE Ø 0.8	
	L793	CENTRICUT DESIGN	PRECITEC [®] NOZZLE Ø 1.0	
	L794	CENTRICUT DESIGN	PRECITEC [®] NOZZLE Ø 1.25	
	L742	CENTRICUT DESIGN	PRECITEC [®] NOZZLE Ø 1.5	
	L743	CENTRICUT DESIGN	PRECITEC [®] NOZZLE Ø 1.8	
	L744	CENTRICUT DESIGN	PRECITEC [®] NOZZLE Ø 2.0	

ADIGE[®], PRECITEC[®]



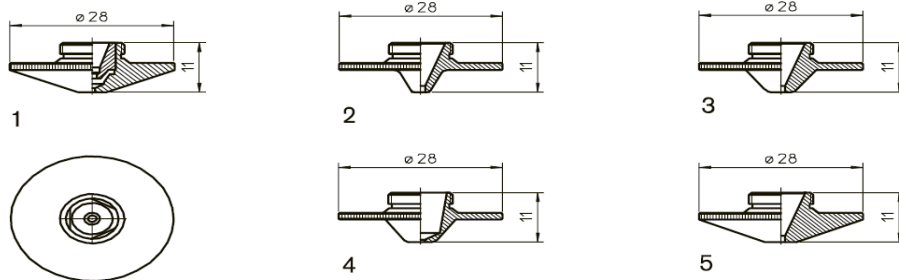
POS	ART. NR.	ORIGINAL KOD	BESKRIVNING	PRIS / ST
1	L680	CENTRICUT DESIGN	PRECITEC [®] NOZZLE Ø 1.0 DOUBLE LONG	
	L681	CENTRICUT DESIGN	PRECITEC [®] NOZZLE Ø 1.25 DOUBLE LONG	
	L682	CENTRICUT DESIGN	PRECITEC [®] NOZZLE Ø 1.5 DOUBLE LONG	
	L683	CENTRICUT DESIGN	PRECITEC [®] NOZZLE Ø 1.8 DOUBLE LONG	
	L684	CENTRICUT DESIGN	PRECITEC [®] NOZZLE Ø 2.0 DOUBLE LONG	
	L685	CENTRICUT DESIGN	PRECITEC [®] NOZZLE Ø 2.3 DOUBLE LONG	
	L686	CENTRICUT DESIGN	PRECITEC [®] NOZZLE Ø 2.5 DOUBLE LONG	
	L687	CENTRICUT DESIGN	PRECITEC [®] NOZZLE Ø 3.0 DOUBLE LONG	
	L688	CENTRICUT DESIGN	PRECITEC [®] NOZZLE Ø 3.5 DOUBLE LONG	
2	L308	P0573-563-00010	PRECITEC [®] NOZZLE Ø 1.0 LONG	
	L307	P0573-563-00012	PRECITEC [®] NOZZLE Ø 1.25 LONG	
	L382	P0573-563-00015	PRECITEC [®] NOZZLE Ø 1.5 LONG	
	L383		PRECITEC [®] NOZZLE Ø 1.8 LONG	
	L437	P0573-563-00020	PRECITEC [®] NOZZLE Ø 2.0 LONG	
	L438	P0573-563-00023	PRECITEC [®] NOZZLE Ø 2.3 LONG	
	L439	P0573-563-00025	PRECITEC [®] NOZZLE Ø 2.5 LONG	
	L440		PRECITEC [®] NOZZLE Ø 3.0 LONG	
3	L1341		PRECITEC [®] NOZZLE Ø 1.0 LONG	
	L1343		PRECITEC [®] NOZZLE Ø 1.5 LONG	
	L1344		PRECITEC [®] NOZZLE Ø 1.8 LONG	
	L1345		PRECITEC [®] NOZZLE Ø 2.0 LONG	
4	L1374	P0578-0411-00010	PRECITEC [®] NOZZLE Ø 1.0 LONG WITH RADIUS	
	L1375		PRECITEC [®] NOZZLE Ø 1.2 LONG WITH RADIUS	
	L1376	P0578-0413-00015	PRECITEC [®] NOZZLE Ø 1.5 LONG WITH RADIUS	
	L1373	P0578-0414-00018	PRECITEC [®] NOZZLE Ø 1.8 LONG WITH RADIUS	
	L1377		PRECITEC [®] NOZZLE Ø 2.0 LONG WITH RADIUS	
	L1378		PRECITEC [®] NOZZLE Ø 2.5 LONG WITH RADIUS	
	L1374X	P0578-0411-00010	PRECITEC [®] NOZZLE Ø 1.0 CP LONG WITH RADIUS	
	L1375X		PRECITEC [®] NOZZLE Ø 1.2 CP LONG WITH RADIUS	
	L1376X	P0578-0413-00015	PRECITEC [®] NOZZLE Ø 1.5 CP LONG WITH RADIUS	
	L1373X	P0578-0414-00018	PRECITEC [®] NOZZLE Ø 1.8 CP LONG WITH RADIUS	
	L1377X		PRECITEC [®] NOZZLE Ø 2.0 CP LONG WITH RADIUS	
	L1378X		PRECITEC [®] NOZZLE Ø 2.5 CP LONG WITH RADIUS	

ADIGE[®], PRECITEC[®]



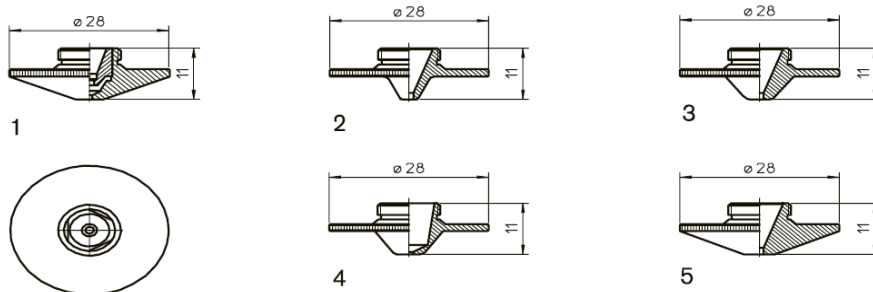
POS	ART. NR.	ORIGINAL KOD	BESKRIVNING	PRIS / ST
1	AL333		PRECITEC [®] NOZZLE ADAPTER L - 29 M6	
2	AL334		PRECITEC [®] NOZZLE ADAPTER L - 30 M6	
3	AL335		PRECITEC [®] NOZZLE ADAPTER L - 20 M6	
4	AL43	CENTRICUT DESIGN	PRECITEC [®] NOZZLE ADAPTER L - 8.8	

ADIGE[®], PRECITEC[®]



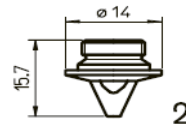
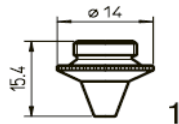
POS	ART. NR.	ORIGINAL KOD	BESKRIVNING	PRIS / ST
1	L1179	CENTRICUT DESIGN	PRECITEC [®] DOUBLE NOZZLE Ø 1.0 - 1.5	
	L1180	CENTRICUT DESIGN	PRECITEC [®] DOUBLE NOZZLE Ø 1.5 - 1.5	
	L1181	CENTRICUT DESIGN	PRECITEC [®] DOUBLE NOZZLE Ø 2.0 - 1.5	
	L1182	CENTRICUT DESIGN	PRECITEC [®] DOUBLE NOZZLE Ø 2.5 - 1.5	
	L1183	CENTRICUT DESIGN	PRECITEC [®] DOUBLE NOZZLE Ø 3.0 - 1.5	
	L1179X	CENTRICUT DESIGN	PRECITEC [®] DOUBLE NOZZLE Ø 1.0 - 1.5 CP	
	L1160X	CENTRICUT DESIGN	PRECITEC [®] DOUBLE NOZZLE Ø 1.2 - 1.5 CP	
	L1161X		PRECITEC [®] DOUBLE NOZZLE Ø 1.4 - 1.5 CP	
	L1180X		PRECITEC [®] DOUBLE NOZZLE Ø 1.5 - 1.5 CP	
	L1162X		PRECITEC [®] DOUBLE NOZZLE Ø 1.8 - 1.5 CP	
	L1181X		PRECITEC [®] DOUBLE NOZZLE Ø 2.0 - 1.5 CP	
	L1182X	CENTRICUT DESIGN	PRECITEC [®] DOUBLE NOZZLE Ø 2.5 - 1.5 CP	
	L1183X	CENTRICUT DESIGN	PRECITEC [®] DOUBLE NOZZLE Ø 3.0 - 1.5 CP	
	L1184X	CENTRICUT DESIGN	PRECITEC [®] DOUBLE NOZZLE Ø 3.5 - 1.5 CP	
2	L1218		PRECITEC [®] NOZZLE Ø 1.5 HD	
	L1219		PRECITEC [®] NOZZLE Ø 2.0 HD	
	L1220		PRECITEC [®] NOZZLE Ø 2.5 HD	
	L1218X		PRECITEC [®] NOZZLE Ø 1.5 HD CP	
	L1219X		PRECITEC [®] NOZZLE Ø 2.0 HD CP	
	L1220X		PRECITEC [®] NOZZLE Ø 2.5 HD CP	
	3	L1060		PRECITEC [®] NOZZLE Ø 1.0 HD
L1061			PRECITEC [®] NOZZLE Ø 1.2 HD	
L1062			PRECITEC [®] NOZZLE Ø 1.5 HD	
L1063			PRECITEC [®] NOZZLE Ø 2.0 HD	
L1064			PRECITEC [®] NOZZLE Ø 2.5 HD	
L1065			PRECITEC [®] NOZZLE Ø 3.0 HD	
L1086			PRECITEC [®] NOZZLE Ø 3.5 HD	
L1087			PRECITEC [®] NOZZLE Ø 4.0 HD	
L1088			PRECITEC [®] NOZZLE Ø 4.5 HD	
L1089			PRECITEC [®] NOZZLE Ø 5.0 HD	

ADIGE[®], PRECITEC[®]



POS	ART. NR.	ORIGINAL KOD	BESKRIVNING	PRIS / ST
4	L410	281340-P0571-281-00010	PRECITEC [®] NOZZLE Ø 1.0	
	L411	281341-P0571-282-00012	PRECITEC [®] NOZZLE Ø 1.2	
	L412	281342-P0571-283-00015	PRECITEC [®] NOZZLE Ø 1.5	
	L413	281342-P0571-284-00018	PRECITEC [®] NOZZLE Ø 1.8	
	L414	281343-P0571-285-00020	PRECITEC [®] NOZZLE Ø 2.0	
	L415	281344-P0571-286-00025	PRECITEC [®] NOZZLE Ø 2.5	
5	L465	281599-P0571-291-00010	PRECITEC [®] NOZZLE Ø 1.0	
	L466	P0571-292-00012	PRECITEC [®] NOZZLE Ø 1.2	
	L467	281570-P0571-293-00015	PRECITEC [®] NOZZLE Ø 1.5	
	L468		PRECITEC [®] NOZZLE Ø 1.8	
	L469	281571-P0571-295-00020	PRECITEC [®] NOZZLE Ø 2.0	
	L470	281572-P0571-297-00025	PRECITEC [®] NOZZLE Ø 2.5	
	L463		PRECITEC [®] NOZZLE Ø 3.0	

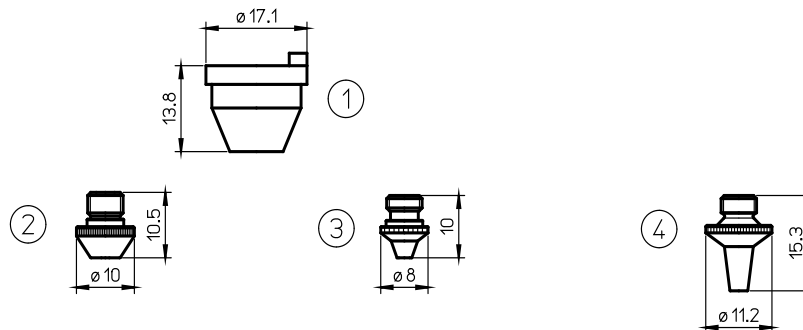
ADIGE[®], PRECITEC[®]



POS	ART. NR.	ORIGINAL KOD	BESKRIVNING	PRIS / ST
AKK52 – AKH27 – YH27 – YR30 SENSOR SYSTEM				
1	L405	281813-P0589-424-00008	PRECITEC [®] NOZZLE Ø 0.8	
	L406	281789-P0589-426-00010	PRECITEC [®] NOZZLE Ø 1.0	
	L404	281561-778550	PRECITEC [®] NOZZLE Ø 1.2	
	L407	281814-149957	PRECITEC [®] NOZZLE Ø 1.5	
	L408	P0589-428-00020	PRECITEC [®] NOZZLE Ø 2.0	
	L405X	281813-P0589-424-00008	PRECITEC [®] NOZZLE Ø 0.8 CP	
	L406X	281789-P0589-426-00010	PRECITEC [®] NOZZLE Ø 1.0 CP	
	L404X	281561-778550	PRECITEC [®] NOZZLE Ø 1.2 CP	
	L407X	281814-149957	PRECITEC [®] NOZZLE Ø 1.5 CP	
	L408X	P0589-428-00020	PRECITEC [®] NOZZLE Ø 2.0 CP	
YK52 SENSOR SYSTEM				
2	L800	281498-PO587-722-00010	PRECITEC [®] NOZZLE Ø 1.0	
	L801	P0587-723-00012	PRECITEC [®] NOZZLE Ø 1.2	
	L802	281497-P0587-721-00015	PRECITEC [®] NOZZLE Ø 1.5	
	L803	281516-P0587-737-00018	PRECITEC [®] NOZZLE Ø 1.8	
	L804	281567-P0587-771-00020	PRECITEC [®] NOZZLE Ø 2.0	
	L805	P0587-772-00025	PRECITEC [®] NOZZLE Ø 2.5	

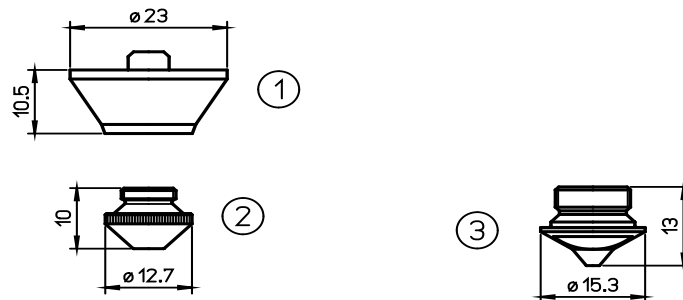
X = Kromaterat

ADIGE[®], PRECITEC[®]



POS	ART. NR.	ORIGINAL KOD	BESKRIVNING	PRIS / ST
5" KN SENSOR SYSTEM				
1	AL53	280408-092405	PRECITEC [®] NOZZLE HOLDER KTM1.5	
2	L445		PRECITEC [®] NOZZLE Ø 0.8	
	L292	280551-P0494-853-00010	PRECITEC [®] NOZZLE Ø 1.0	
	L293	280552-P0494-854-00012	PRECITEC [®] NOZZLE Ø 1.2	
	L294	280553-P0494-855-00015	PRECITEC [®] NOZZLE Ø 1.5	
	L295	280554-P0494-856-00017	PRECITEC [®] NOZZLE Ø 1.7	
	L296	280555-P0494-855-00020	PRECITEC [®] NOZZLE Ø 2.0	
	L372		PRECITEC [®] NOZZLE Ø 2.3	
	L371		PRECITEC [®] NOZZLE Ø 2.5	
	L304		PRECITEC [®] NOZZLE Ø 3.0	
L303		PRECITEC [®] NOZZLE Ø 4.0		
3	L1055	280943-P0494-787-00010	PRECITEC [®] NOZZLE Ø 1.0 KN	
	L1056	280942-P0494-788-00012	PRECITEC [®] NOZZLE Ø 1.2 KN	
	L1057	280941-P0494-789-00015	PRECITEC [®] NOZZLE Ø 1.5 KN	
	L1058		PRECITEC [®] NOZZLE Ø 1.8 KN	
	L1059		PRECITEC [®] NOZZLE Ø 2.0 KN	
	L1980	P0787-482-00012	PRECITEC [®] NOZZLE Ø 1.2 DE Y30/22 F100	
	L1981	P0787-483-00015	PRECITEC [®] NOZZLE Ø 1.5 DE Y30/22 F100	

ADIGE[®], PRECITEC[®]

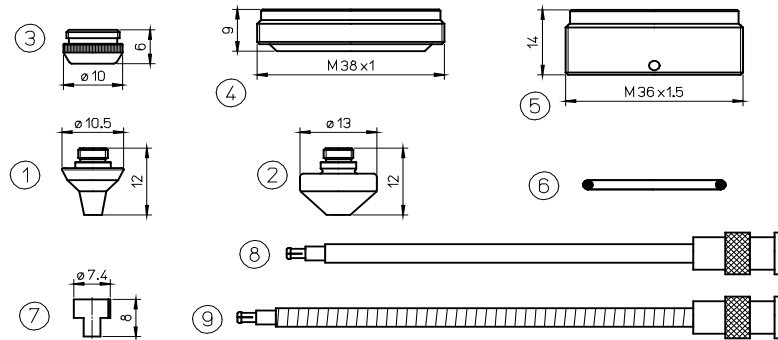


POS	ART. NR.	ORIGINAL KOD	BESKRIVNING	PRIS / ST
2.5" CM SENSOR SYSTEM				
1	AL138	281079-P0492-430-00003-W149	PRECITEC [®] NOZZLE HOLDER KTM1.5" S F2.5" OEM	
2	L400	280013-P0492-441-00008	PRECITEC [®] NOZZLE Ø 0.8	
	L401	280014-P0492-442-00010-W223	PRECITEC [®] NOZZLE Ø 1.0	
	L402	280015, P0492-443-00012	PRECITEC [®] NOZZLE Ø 1.2	
	L403	280016-P0492-444-00015-W224	PRECITEC [®] NOZZLE Ø 1.5	
	L543	P0492-447-00018	PRECITEC [®] NOZZLE Ø 1.8	
	L544	280937-P0492-445-00020-W225	PRECITEC [®] NOZZLE Ø 2.0	
	L546	P0492-448-00023	PRECITEC [®] NOZZLE Ø 2.3	
	L545	281791-P0492-446-00025-W226	PRECITEC [®] NOZZLE Ø 2.5	
	L547		PRECITEC [®] NOZZLE Ø 3.0	
	L400X	280013-P0492-441-00008	PRECITEC [®] NOZZLE Ø 0.8 CP	
	L401X	280014-P0492-442-00010-W223	PRECITEC [®] NOZZLE Ø 1.0 CP	
	L402X	280015, P0492-443-00012	PRECITEC [®] NOZZLE Ø 1.2 CP	
	L403X	280016-P0492-444-00015-W224	PRECITEC [®] NOZZLE Ø 1.5 CP	
	L543X	P0492-447-00018	PRECITEC [®] NOZZLE Ø 1.8 CP	
	L544X	280937-P0492-445-00020-W225	PRECITEC [®] NOZZLE Ø 2.0 CP	
	L546X	P0492-448-00023	PRECITEC [®] NOZZLE Ø 2.3 CP	
	L545X	281791-P0492-446-00025-W226	PRECITEC [®] NOZZLE Ø 2.5 CP	
L547X		PRECITEC [®] NOZZLE Ø 3.0 CP		
3	L1012	P0587-842-00008	PRECITEC [®] NOZZLE Ø 0.8	
	L1013	P0587-841-00010	PRECITEC [®] NOZZLE Ø 1.0	
	L1014	P0587-846-00015	PRECITEC [®] NOZZLE Ø 1.5	

X = Kromaterat

ADIGE[®], PRECITEC[®]

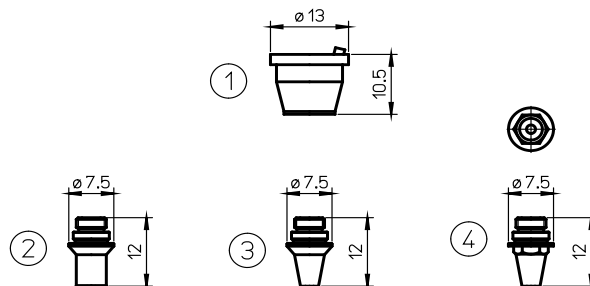
Mazak[®] 3D - Precitec[®] 5°C/MG - 5°H/MG



POS	ART. NR.	ORIGINAL KOD	BESKRIVNING	PRIS / ST
1	L554	46713300290-10	PRECITEC [®] NOZZLE Ø 1.0 3D	
	L555	46713300290-12	PRECITEC [®] NOZZLE Ø 1.2 3D	
	L556	46713300290-15-P0352-381-00015	PRECITEC [®] NOZZLE Ø 1.5 3D	
	L557		PRECITEC [®] NOZZLE Ø 1.8 3D	
	L558	46713300310-P0352-382-00020	PRECITEC [®] NOZZLE Ø 2.0 3D	
	L560	46713300280-25	PRECITEC [®] NOZZLE Ø 2.5 3D	
	L563	46713300280-30-46713300430	PRECITEC [®] NOZZLE Ø 3.0 3D	
	L564	46713300280-35	PRECITEC [®] NOZZLE Ø 3.5 3D	
2	L576		PRECITEC [®] NOZZLE Ø 1.0 2D	
	L577	46713300310	PRECITEC [®] NOZZLE Ø 1.2 2D	
	L578	P0352-386-00015	PRECITEC [®] NOZZLE Ø 1.5 2D	
	L579		PRECITEC [®] NOZZLE Ø 1.8 2D	
	L580	46713300300-P0352-387-00020	PRECITEC [®] NOZZLE Ø 2.0 2D	
	L581	46713300300-25	PRECITEC [®] NOZZLE Ø 2.5 2D	
	L582	46713300300-30	PRECITEC [®] NOZZLE Ø 3.0 2D	
3	AL160	46713300321-P0352-311-00001	PRECITEC [®] UNION NUT - VESPEL	
4	AL198	P0492-702-00001-29100021	PRECITEC [®] INSULATING RING	
5	AL218	46713330200	PRECITEC [®] INSULATOR 5-AXIS	
6	AL94	71366453	PRECITEC [®] OUTER NOZZLE O-RING 10-PACK	
7	AL256		PRECITEC [®] INSULATOR COLLAR	
8	AL204	P0360-100-00500-46713300100	PRECITEC [®] SENSOR CABLE 500mm OEM	
9	AL257	281386-P0360-155-00500	PRECITEC [®] SENSOR CABLE	

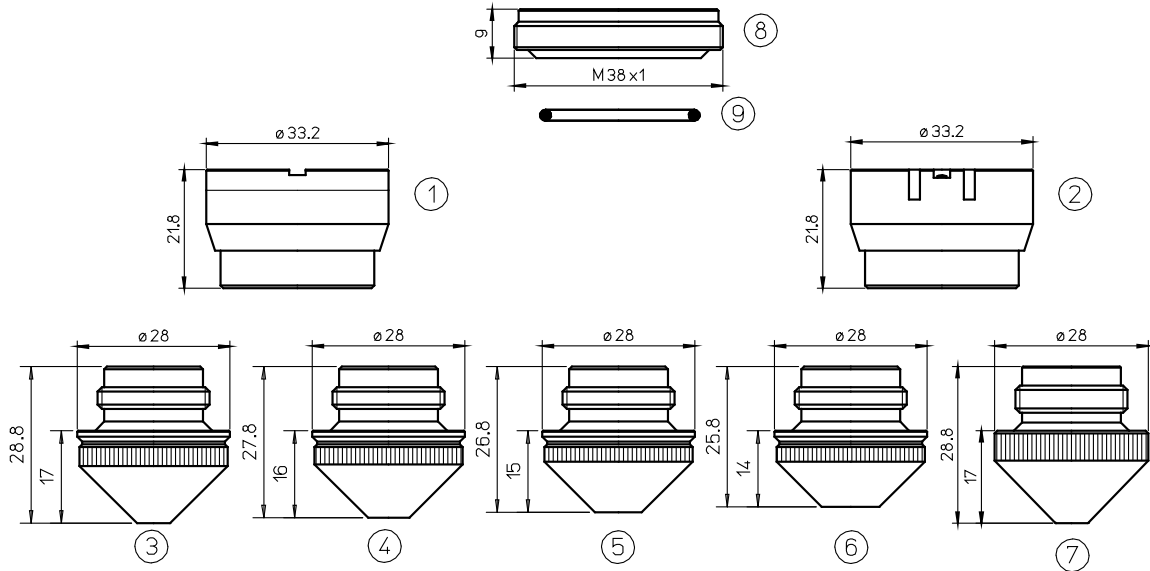
	PT347-0600OEM		PRECITEC [®] SENS. CABLE ZWW 600 265mm OEM	
	AL202	P0497-002-00450	PRECITEC [®] SENSOR CABLE 450mm	
	AL358	46743300181	PRECITEC [®] SENSOR CABLE 305mm	
	PT311-0787	280787-P48413300001	PRECITEC [®] INSULATING RING	
	PT347-0520	P0591-520-00001	PRECITEC [®] INSULATING PLATE	
	PT347-0930	P0591-930-0001	PRECITEC [®] SPATTER PROTECTION PLATE	

ADIGE[®], PRECITEC[®]



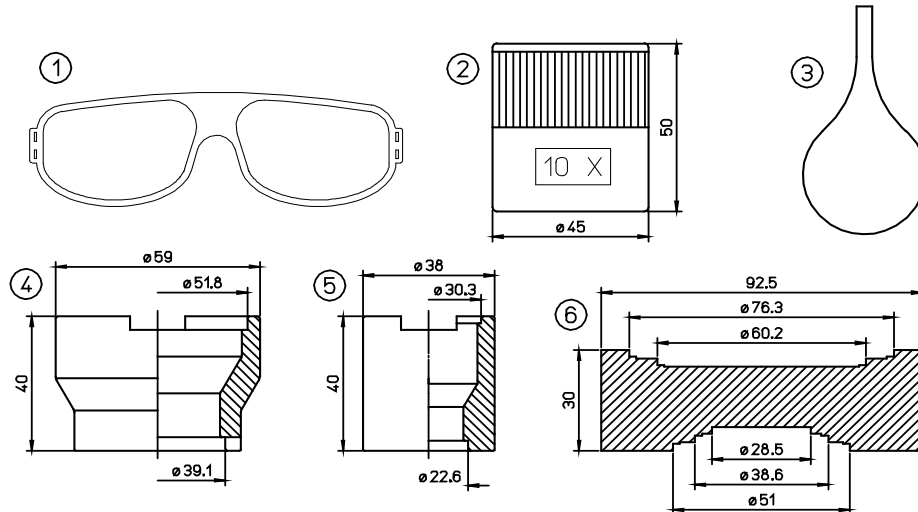
POS	ART. NR.	ORIGINAL KOD	BESKRIVNING	PRIS / ST
1	P4911300001	P0491-130-00001	PRECITEC [®] ORIG. NOZ. HOLDER KT M1.5* K S - CERAMIC	
2	L480	281005-P0352-323-00010	PRECITEC [®] NOZZLE Ø 1.0	
	L481	281034-P0352-324-00012	PRECITEC [®] NOZZLE Ø 1.2	
	L482	281013-P0352-325-00015	PRECITEC [®] NOZZLE Ø 1.5	
	L483	280899-P0352-326-00018	PRECITEC [®] NOZZLE Ø 1.8	
	L484	350044.3-P0352-327-00020	PRECITEC [®] NOZZLE Ø 2.0	
	L485	P0352-328-00025	PRECITEC [®] NOZZLE Ø 2.5	
3	L486	281006-P0352-333-00010	PRECITEC [®] NOZZLE Ø 1.0	
	L487	281030-P0352-334-00012	PRECITEC [®] NOZZLE Ø 1.2	
	L488	281031-P0352-335-00015	PRECITEC [®] NOZZLE Ø 1.5	
	L489	280898-P0352-336-00018	PRECITEC [®] NOZZLE Ø 1.8	
	L490	P0352-336-00020	PRECITEC [®] NOZZLE Ø 2.0	
4	L1760	0	PRECITEC [®] NOZZLE DE M1.5 KS 1.0 HEX	
	L1761	P0491-1001-00015	PRECITEC [®] NOZZLE DE M1.5 KS 1.2 HEX	
	L1762	0	PRECITEC [®] NOZZLE DE M1.5 KS 1.5 HEX	
	L1764	P0491-1002-00020	PRECITEC [®] NOZZLE DE M1.5 KS 2.0 HEX	

ADIGE[®], PRECITEC[®]



POS	ART. NR.	ORIGINAL KOD	BESKRIVNING	PRIS / ST
1	AL40	280565-P0497-605-00001-29100106	PRECITEC [®] ORIG. NOZ. HOLDER KT M1.5"D _{XN} - CERAMIC	
	AL298	P0497-68871	PRECITEC [®] ORIG. NOZ. HOLDER KT M1.5"D _{XN} - CERAMIC	
2	AL130/S	281146-P0380-211-00001-29100033	PRECITEC [®] NOZZLE HOLDER ITM 1.5" DZ	
	AL130	281146-P0380-211-00001-29100033	PRECITEC [®] NOZZLE HOLDER ITM 1.5" DZ OEM	
3	L365	280029-P0492-628-00010	PRECITEC [®] NOZZLE Ø 1.0	
	L366	280030-P0492-629-00012	PRECITEC [®] NOZZLE Ø 1.2	
4	L367	280028-P0492-627-00015	PRECITEC [®] NOZZLE Ø 1.5	
5	L368	281384-P0492-630-00017	PRECITEC [®] NOZZLE Ø 1.7	
	L369	280027-P0492-626-00020	PRECITEC [®] NOZZLE Ø 2.0	
6	L370	280026-P0492-625-00025	PRECITEC [®] NOZZLE Ø 2.5	
7	L163	281253-P0380-251-00010	PRECITEC [®] NOZZLE Ø 1.0	
	L164	281254-P0380-252-00012	PRECITEC [®] NOZZLE Ø 1.2	
	L165	281255-P0380-253-00015	PRECITEC [®] NOZZLE Ø 1.5	
	L166	281270-P0380-254-00020	PRECITEC [®] NOZZLE Ø 2.0	
	L167	281271-P0380-255-00025	PRECITEC [®] NOZZLE Ø 2.5	
	L462	281271-2.7	PRECITEC [®] NOZZLE Ø 2.7	
	L201	281271-3.0	PRECITEC [®] NOZZLE Ø 3.0	
8	AL201	P0492-702-00002	PRECITEC [®] INSULATING RING	
9	AL94	71366453	PRECITEC [®] OUTER NOZZLE O-RING 10-PACK	

ADIGE[®], PRECITEC[®]



POS	ART. NR.	ORIGINAL KOD	BESKRIVNING	PRIS / ST
1	AL1100		LASER CO2 GLASSES CE APPROVED DIL3	
2	AL255	091860	SCALE LUPE	
3	AL282		ACC. INJECTOR	
4	AL271	TR300-271	BASE FOR LENS MAINTENANCE	
5	AL276		ACC. BASE FOR MIRROR MAINTENENCE	
6	AL370		ACC.BASE FOR LENS AND MIRROR CLEANING	
	SC100	AM313-SC100	LENS CLEANING PAPER - 50 sheets	
	AL1001	123602	LENS CLEANING LIQUID - 200 ml	
	AL1002		MIRROR CLEANING LIQUID - 200 ml	
	AL1003-100	240568-100	ACC. LENS CLEANING POLISH - ml 100	
	AL1004		POLISH DETERGENT - 200 ml	
	EZ020003-101		LENS CLEANING WIPES EZ CLEAN - 24 pieces	
	TOPOL2	367432	LENS POLISH - 125 ml	
	TR300-7388	787388	MIRROR POLISH - 250 ml	
	AL1010	TR300-1010	DROPPER FOR LENS CLEANING LIQUID	
	SC20	TR300-SC20	COTTON SWAB (tops) - 20 pieces	
	AL1115	TR300-1115	LENS CLEANING PRE-CUT COTTON - 100 pieces	
	AL1120	HG 15.136	LATEX GLOVES - 10 pieces	
	LUFTSPRAY		BLÅS RENT	
	910000		RENGÖRINGSVÄSKA TILL LINSER	
	ALI115/M	MZ335-115	INDIUM WIRE 0.8 mm x 125 mm FOR 1.5" LENS	
	ALI120/M	MZ335-120	INDIUM WIRE 0.8 mm x 160 mm FOR 2,0" LENS	
	351260-009	EZ-POLARIZER	VERKTYG FÖR KONTROLL AV LINSER 1,5"	
	351280-009	EZ-POLARIZER	VERKTYG FÖR KONTROLL AV LINSER 2"	